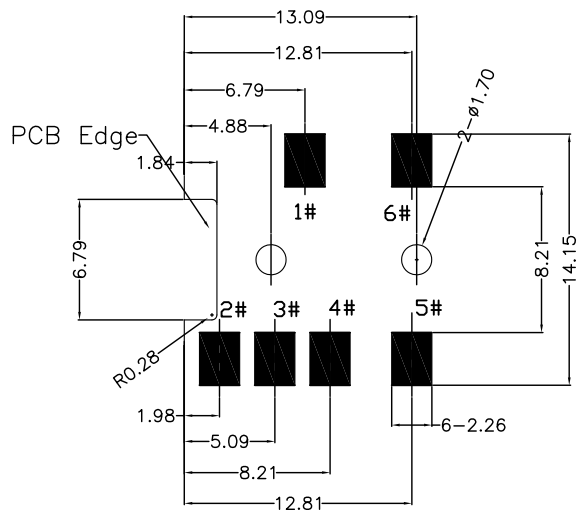
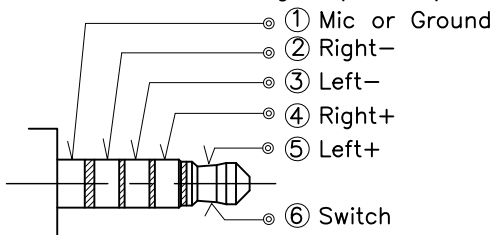


NOTES

1. CURRENT RATING: 1A.
2. CONTACT RESISTANCE: 100mΩ MAX.;
3. INSULATION RESISTANCE: 100MΩ MIN.;
4. DIELECTRIC WITHSTANDING: 500V AC MIN.;
5. DURABILITY: 5,000 CYCLES MIN.;
6. CONNECTOR MATING FORCES: 30N MAX.;
7. CONNECTOR UNMATING FORCES: 3N MIN.;
8. TERPROOF LEVEL: IP67;



5 Pole Circuit Diagram(1Switch)



9	COVER	1	HIGH TEMPERATURE PLASTIC; COLOR BLACK	
8	WATERPROOF RING	1	SILICA GEL	
7	HOUSING	1	HIGH TEMPERATURE PLASTIC; COLOR BLACK	
6	TERMINAL 6#	1	STAINLESS STEEL; NICKEL UNDERPLATING OVERALL, GOLD FLASH PLATING ON SOLDER & CONTACT AREA	T=0.20mm
5	TERMINAL 5#	1		
4	TERMINAL 4#	1		
3	TERMINAL 3#	1	COPPER ALLOY; NICKEL UNDERPLATING OVERALL, GOLD FLASH PLATING ON SOLDER & CONTACT AREA	T=0.20mm
2	TERMINAL 2#	1		
1	TERMINAL 1#	1	STAINLESS STEEL; NICKEL UNDERPLATING OVERALL, GOLD FLASH PLATING ON SOLDER & CONTACT AREA	T=0.20mm
ITEM	NAME	Q'TY	DESCRIPTION	NOTE



深圳市华宇创精密电子有限公司

TOLERANCE: X.X ±0.30 X.XX ±0.25 X.XXX ±0.15 X' ±2' X.X' ±0.5'	DRAWN BY : 陈一鸣	DATE : 2014-02-23	PART NAME: 防水耳机座 PJ-1831
	CHECKED BY : 马跃	DATE : 2014-02-23	PART NO. : HYCW-PJ1831-186B
UNIT: mm [inch] SCALE:1:1 SIZE: A4	APPROVED BY : 邱敏	DATE : 2014-02-23	DRAW NO. : HYC-2211031544
			SHEET NO. : 1 OF 1

单击下面可查看定价，库存，交付和生命周期等信息

[>>华宇创](#)