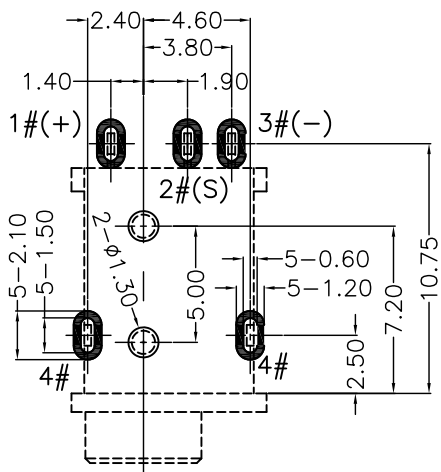


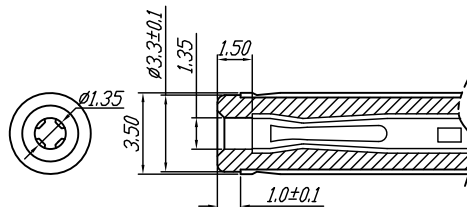
3D VIEW

Notes:

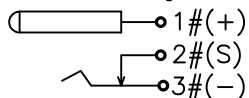
- 1.Current Rating: 24V& 3A max.
- 2.Contact Resistance: 50mOhms Max.(initial)
- 3.Insulation Resistance: 100M Ohms Min./500V DC
- 4.Dielectric Withstanding Voltage: 500V AC/1Minute
- 5.Mating Force: 35N Max, Withdrawal Force: 3N Min.
- 6.Durability: 5,000 Cycles
- 7.Operating Temperature:-25°C to+85°C



RECOMMEND PCB LAYOUT
TOLERANCE:±0.05



Circuit Diagram



7	BOND	1	EPOXY:BLACK
6	BACK COVER	1	HIGH TEMPERATURE; COLOR BLACK
5	HOUSING	1	HIGH TEMPERATURE; COLOR BLACK
4	TERMINAL 4#	2	COPPER ALLOY; NICKEL UNDER PLATING OVERALL;GOLD FLASH PLATING ON SOLDER AREA ;GOLD FLASH PLATING ON CONTACT AREA
3	TERMINAL 3#	1	COPPER ALLOY; NICKEL UNDER PLATING OVERALL;GOLD FLASH PLATING ON SOLDER AREA ;GOLD FLASH PLATING ON CONTACT AREA
2	TERMINAL 2#	1	COPPER ALLOY; NICKEL UNDER PLATING OVERALL;GOLD FLASH PLATING ON SOLDER AREA ;GOLD FLASH PLATING ON CONTACT AREA
1	CENTER PIN	1	COPPER ALLOY; NICKEL UNDER PLATING OVERALL;GOLD FLASH PLATING ON SOLDER AREA ;GOLD FLASH PLATING ON CONTACT AREA
ITEM	NAME	Q'TY	DESCRIPTION



深圳市华宇创精密电子有限公司

TOLERANCE: X.X ±0.30 X.XX ±0.25 X.XXX ±0.15 X.' ±2' X.X' ±0.5'	DRAWN BY : 陈一鸣	DATE : 2014-02-23	PART NAME: 防水DC座 DC-1839
	CHECKED BY: 马跃	DATE : 2014-02-23	PART NO. HVCW-DC1839-130B
UNIT: mm [inch] SCALE:1:1 SIZE: A4	APPROVED BY: 邱敏	DATE : 2014-02-23	DRAW NO: HYC-2211021620
			SHEET NO. 1 OF 1

单击下面可查看定价，库存，交付和生命周期等信息

[>>华宇创](#)