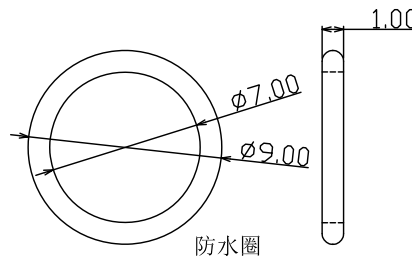
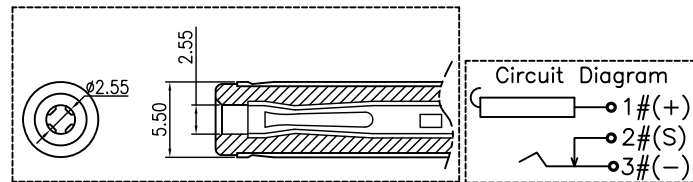
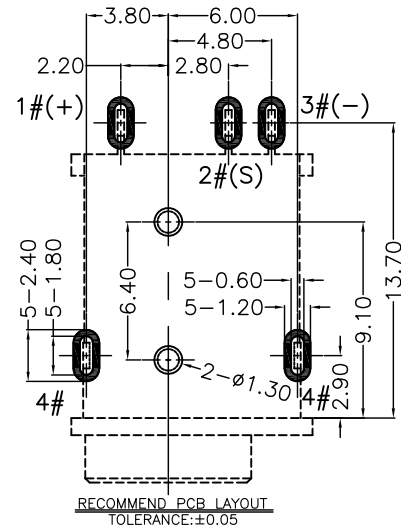


Notes:

1. Current Rating: 24V&5A max.
2. Contact Resistance: 50mOhms Max.(initial)
3. Insulation Resistance: 100M Ohms Min./500V DC
4. Dielectric Withstanding Voltage: 500V AC/1Minute
5. Mating Force: 35N Max, Withdrawal Force: 3N Min.
6. Durability: 5,000 Cycles
7. Operating Temperature: -25°C to +85°C

7	BOND	1	EPOXY, BLACK
6	BACK COVER	1	HIGH TEMPERATURE, BLACK
5	HOUSING	1	HIGH TEMPERATURE, BLACK
4	TERMINAL 4#	1	STAINLESS STEEL; NICKEL PLATING
3	TERMINAL 3#	1	COPPER ALLOY; NICKEL UNDER PLATING OVERALL, Sn PLATING ON SOLDER AREA, GOLD FLASH PLATING ON CONTACT AREA
2	TERMINAL 2#	1	COPPER ALLOY; NICKEL UNDER PLATING OVERALL, Sn PLATING ON SOLDER AREA, GOLD FLASH PLATING ON CONTACT AREA
1	CENTER PIN	1	COPPER ALLOY; NICKEL UNDER PLATING OVERALL, Sn PLATING ON SOLDER AREA, Ni FLASH PLATING ON CONTACT AREA
ITEM	NAME	QTY	DESCRIPTION



深圳市华宇创精密电子有限公司

TOLERANCE: X.X ±0.30 X.XX ±0.25 X.XXX ±0.15 X' ±2' X.X' ±0.5'	DRAWN BY : 陈一鸣	DATE : 2014-02-23	PART NAME: 防水DC
	CHECKED BY : 马跃	DATE : 2014-02-23	PART NO. : HYCW-DC1852-250B
UNIT: mm [inch] SCALE: 1:1 SIZE: A4	APPROVED BY : 邱敏	DATE : 2014-02-23	DRAW NO. : HYC-2205201606
			SHEET NO. : 1 OF 1

单击下面可查看定价，库存，交付和生命周期等信息

[>>华宇创](#)