



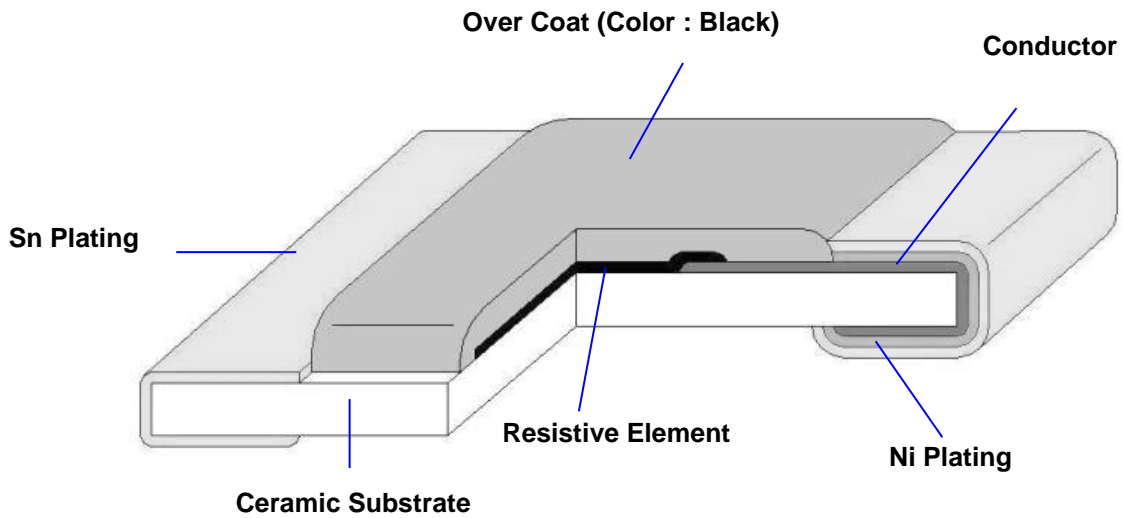
**Automotive Grade Thick Film Chip Resistors
(RMTF series)
Halogen-Free
AEC-Q200 qualified**

Document No.	TRMTF-XX0S001A
Revise Date	2024/01/16
page number	1/12

1. Scope :

This specification applies for the RMTF series of Automotive Grade thick film chip resistors made by TA-I.

2. Construction :



3. Type Designation :

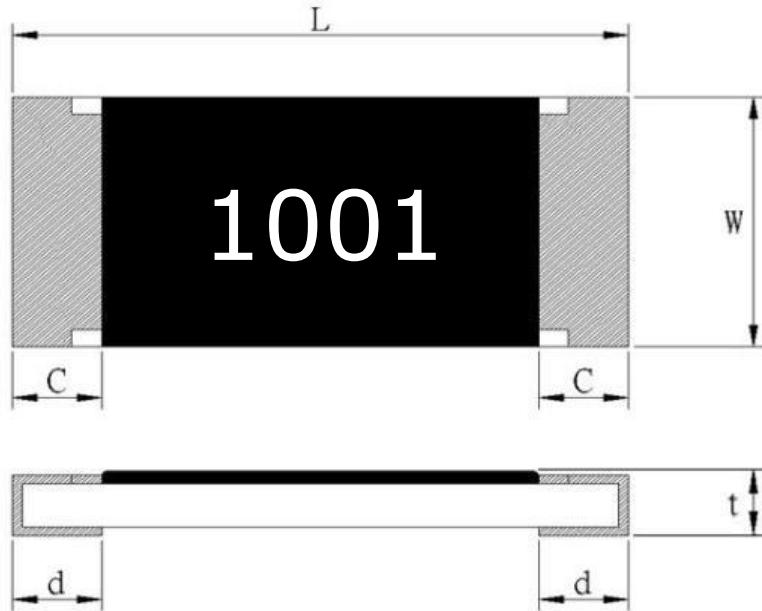
<u>RMTF</u>	<u>10</u>	<u>F</u>	<u>I</u>	<u>1001</u>
Product Code	Size	Tolerance	Packaging	Nominal Resistance
RMTF : Automotive Power Grade Chip Resistor	Rating			
06-0603(1608)	1/10W	F : ±1%	T- Paper Tape	4 digits, e.g., : (E-96) 1001 = 1KΩ
10-0805(2012)	1/8W	D : ±0.5%	E- Embossed Tape	
12-1206(3216)	1/4W			
13-1210(3226)	1/2W			
20-2010(5025)	3/4W			
25-2512(6432)	1 W			



**Automotive Grade Thick Film Chip Resistors
(RMTF series)
Halogen-Free
AEC-Q200 qualified**

Document No.	TRMTF-XX0S001A
Revise Date	2024/01/16
page number	2/12

4. Dimensions :



UNIT: mm

Type	L	W	C	d	t
RMTF06	1.60±0.10	0.80±0.10	0.30±0.20	0.30 ^{+0.2} _{-0.1}	0.45±0.10
RMTF10	2.00±0.10	1.25±0.10	0.40±0.20	0.40±0.20	0.50±0.10
RMTF12	3.10±0.10	1.55±0.10	0.50±0.30	0.40±0.20	0.55±0.10
RMTF13	3.10±0.10	2.55±0.10	0.50±0.30	0.40±0.20	0.60±0.10
RMTF20	5.00±0.15	2.50±0.15	0.60±0.30	0.50±0.25	0.60±0.10
RMTF25	6.30±0.20	3.20±0.20	0.60±0.30	0.50±0.25	0.60±0.10



**Automotive Grade Thick Film Chip Resistors
(RMTF series)
Halogen-Free
AEC-Q200 qualified**

Document No.	TRMTF-XX0S001A
Revise Date	2024/01/16
page number	3/12

5. Ratings & Characteristics :

Type	Power Rating at 70°C	Rating Voltage	Max. Working Voltage	Max. Over-Load Voltage	T.C.R (PPM/°C)	Resistance Range(Ω)	
						D(±0.5%) E-96&E-24	F(±1%) E-96&E-24
RMTF06	1/10W	Refer 5.2	75V	150V	±50	1K<R ≤ 1MΩ	1K<R ≤ 1MΩ
RMTF10	1/8W	Refer 5.2	150V	300V	±50	1K<R ≤ 1MΩ	1K<R ≤ 1MΩ
RMTF12	1/4W	Refer 5.2	200V	400V	±50	1K<R ≤ 1MΩ	1K<R ≤ 1MΩ
RMTF13	1/2W	Refer 5.2	200V	400V	±50	1K<R ≤ 1MΩ	1K<R ≤ 1MΩ
RMTF20	3/4W	Refer 5.2	200V	400V	±50	1K<R ≤ 1MΩ	1K<R ≤ 1MΩ
RMTF25	1W	Refer 5.2	200V	400V	±50	1K<R ≤ 1MΩ	1K<R ≤ 1MΩ

Operating Temp(°C): -55°C ~ +155°C

Note : Except for the above standardized products, we also provide the customized products.



**Automotive Grade Thick Film Chip Resistors
(RMTF series)
Halogen-Free
AEC-Q200 qualified**

Document No.	TRMTF-XX0S001A
Revise Date	2024/01/16
page number	4/12

5.1 Derating Curve :

For resistors operated at ambient temperature over 70°C , power rating shall be derated in accordance with figure 1.

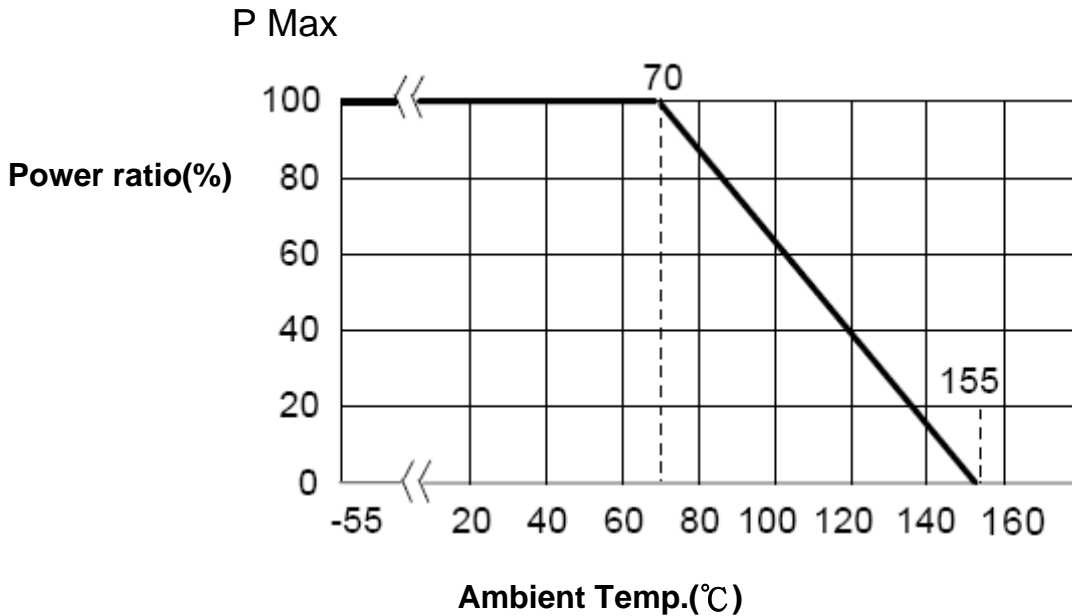


Figure 1

5.2 Rated Voltage:

The rated voltage is calculated by the following formula:

$$E = \sqrt{P * R}$$

E=Rated Voltage(V)

P=Rated Power(W)

R=Resistance Value(Ω)

E.G. : What is RMTF06FT1001 the rated voltage ?

RMTF06FT1001 P:1/10W ; R:1001 = 1KΩ = 1000Ω

$$E = \sqrt{0.1(W) * 1000(\Omega)} = 10 (V)$$



**Automotive Grade Thick Film Chip Resistors
(RMTF series)
Halogen-Free
AEC-Q200 qualified**

Document No.	TRMTF-XX0S001A
Revise Date	2024/01/16
page number	5/12

6. Reliability Tests:

Test Items	Reference standard	Condition of Test	Test Limits ΔR
Temperature Coefficient of Resistance	IEC 60115-1 4.8	+25°C ~ +125 °C	Refer 5.0
Short Time Overload	IEC60115-1 4.13	2.5 X rated voltage for 5 sec	$\pm(1\% + 0.05\Omega)$
High Temperature Exposure (Storage)	AEC-Q200-REV D-Test 3 MIL-STD-202 Method 108	1000 hrs. @ T=125°C. Unpowered. Measurement at 24 \pm 2 hours after test conclusion.	$\pm(1.0\%+0.05\Omega)$
Temperature Cycling	AEC-Q200-REV D-Test 4 JESD22 Method JA-104	1000 Cycles (-55°C to+125°C) Measurement at 24 \pm 4 hours after test conclusion. 30min maximum dwell time at each temperature extreme. 1 min. maximum transition time.	$\pm(1\% + 0.1\Omega)$
Moisture Resistance	AEC-Q200-REV D-Test 6 MIL-STD-202 Method 106	T=24 hours / Cycle, 10 Cycles. Notes: Steps 7a & 7b not required. Unpowered .	$\pm(1.0\%+0.05\Omega)$
Biased Humidity	AEC-Q200-REV D-Test 7 MIL-STD-202 Method 103	1000 hours 85°C/85%RH. Note: Specified conditions: 10% of operating power(not exceeding max working voltage). Measurement at 24 \pm 2 hours after test conclusion.	$\pm(3\% + 0.1\Omega)$
Operational Life	AEC-Q200-REV D-Test 8 MIL-STD-202 Method 108	1000 hours TA=125°C at 35% rated power. Measurement at 24 \pm 4 hours after test conclusion.	$\pm(1\% + 0.1\Omega)$
External Visual	AEC-Q200-REV D-Test 9 MIL-STD-883 Method 2009	Electrical test not required. Inspect device construction, marking and workmanship.	
Physical Dimension	AEC-Q200-REV D-Test 10 JESD22 Method JB-100	Verify physical dimensions to the applicable device detail specification. Note: User(s) and Suppliers spec. Electrical test not required.	
Resistance to Solvents	AEC-Q200-REV D-Test 12 MIL-STD-202 Method 215	a:Isopropyl Alcohol : Mineral Spirits= 1 : 3 b:Terpene Defluxer (Bioact EC-7R) c:Deionized water : Propylene Glycol Monomethyl Ether : monoethanolamine = 42 : 1 : 1	Marking and protective layer can not be detached
Mechanical Shock	AEC-Q200-REV D-Test 13 MIL-STD-202 Method 213	Wave Form : Tolerance for half sine shock pulse. Peak value is 100g's. Normal duration(D) is 6(ms)	$\pm(1\% + 0.1\Omega)$
Vibration	AEC-Q200-REV D-Test 14 MIL-STD-202 Method 204	5 g's for 20 min., 12 cycles each of 3 orientations. Note: Test from 10-2000 Hz.	$\pm(1\% + 0.1\Omega)$
Resistance to Soldering Heat	AEC-Q200-REV D-Test 15 MIL-STD-202 Method 210	Condition B : Immerse the specimens in and eutectic solder at 260 \pm 5°C for 10 \pm 1S .	$\pm(0.5\% + 0.05\Omega)$



**Automotive Grade Thick Film Chip Resistors
(RMTF series)
Halogen-Free
AEC-Q200 qualified**

Document No.	TRMTF-XX0S001A
Revise Date	2024/01/16
page number	6/12

Thermal Shock	AEC-Q200-REV D-Test 16 MIL-STD-202 Method 107	-55°C/+155°C. Note: Number of cycles required-300, Maximum transfer time-20 seconds, Dwell time-15 minutes. Air-Air.	±(1% + 0.1Ω)
ESD	AEC-Q200-REV D-Test 17	verify the voltage setting at 500V	±(1% + 0.1Ω)
Solderability	AEC-Q200-REV D-Test 18 J-STD-002	Method B, aging 4 hours at 155 °C dry heat Lead-free solder bath at 235±3 °C Dipping time: 3±0.5 seconds	> 95% area covered with tin
Flammability	AEC-Q200-REV D-Test 20 UL-94	V-0 or V-1 are acceptable. Electrical test not required.	V-0 or V-1
Board Flex (Bending)	AEC-Q200-REV D-Test 21	3mm deflection(RMTF06~RMTF13) 2mm deflection(RMTF20~RMTF25)	±(0.5% + 0.05Ω)
Terminal Strength (SMD)	IEC 60115-1 4.32	Force of 1.02kg for 10±1 seconds.	±(0.5% + 0.05Ω)

Note* : RCWV : Rated continuous working voltage .

7. Marking

7.1 ±0.5% , ±1% (E96) : RMTF10 / RMTF12 / RMTF13 / RMTF20 / RMTF25

Resistance value is expressed by 4 digits , the first three digits represent the significant figures of nominal resistance value in Ω , and the fourth digit represents exponent for base of 10.

E.G. : 1000 = 100×10⁰ = 100Ω





**Automotive Grade Thick Film Chip Resistors
(RMTF series)
Halogen-Free
AEC-Q200 qualified**

Document No.	TRMTF-XX0S001A
Revise Date	2024/01/16
page number	7/12

7.2 ±0.5% , ±1% (E96): RMTF06

When the marking space is too small in such small-sized resistors as RMTF06, the marking can not made by 4 digits and may be made by two digits combined with one English capital.

Symbol for E96 series nominal resistance value

Symbol	E96	Symbol	E96	Symbol	E96	Symbol	E96
01	100	25	178	49	316	73	562
02	102	26	182	50	324	74	576
03	105	27	187	51	332	75	590
04	107	28	191	52	340	76	604
05	110	29	196	53	348	77	619
06	113	30	200	54	357	78	634
07	115	31	205	55	365	79	649
08	118	32	210	56	374	80	665
09	121	33	215	57	383	81	681
10	124	34	221	58	392	82	698
11	127	35	226	59	402	83	715
12	130	36	232	60	412	84	732
13	133	37	237	61	422	85	750
14	137	38	243	62	432	86	768
15	140	39	249	63	442	87	787
16	143	40	255	64	453	88	806
17	147	41	261	65	464	89	825
18	150	42	267	66	475	90	845
19	154	43	274	67	487	91	866
20	158	44	280	68	499	92	887
21	162	45	287	69	511	93	909
22	165	46	294	70	523	94	931
23	169	47	301	71	536	95	953
24	174	48	309	72	549	96	976

Symbol for multipliers

Symbol	A	B	C	D	E	F	G	H	X	Y	Z
multipliers	10 ⁰	10 ¹	10 ²	10 ³	10 ⁴	10 ⁵	10 ⁶	10 ⁷	10 ⁻¹	10 ⁻²	10 ⁻³

E.G : 01A = 100×10⁰ = 100Ω



Notes :

When the resistance value is not in the list of E96 , 3 digitals with underline in E-24 series is used as mark .

E.G. : 0603 , 120Ω , 1% Marking is 121





**Automotive Grade Thick Film Chip Resistors
(RMTF series)
Halogen-Free
AEC-Q200 qualified**

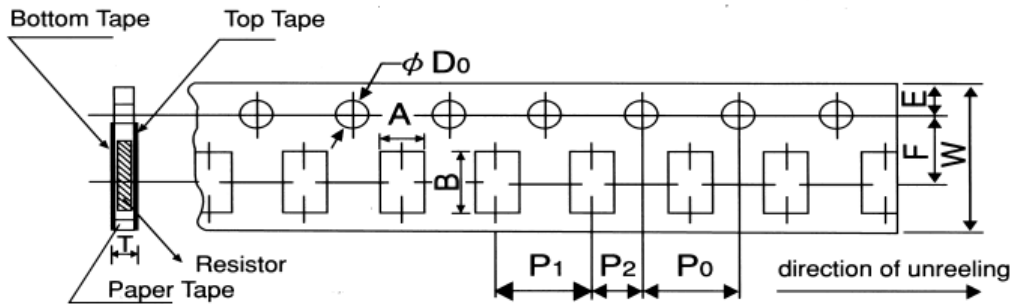
Document No.	TRMTF-XX0S001A
Revise Date	2024/01/16
page number	8/12

7.3 RMTF06 : R represents the 「 · 」

8. Taping & Reel :

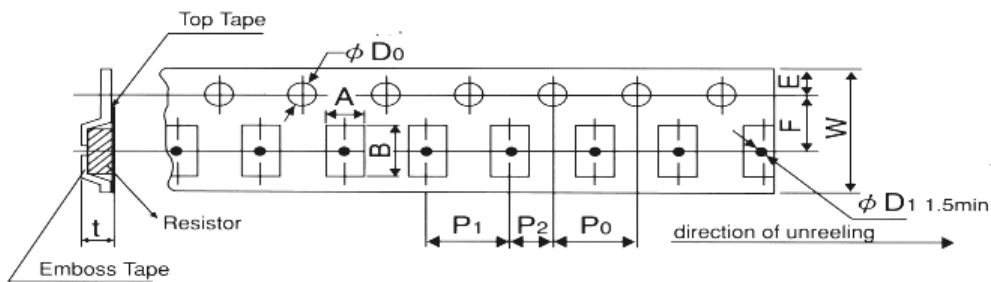
8.1 Taping Dimensions

8.1.1 4 mm pitch paper :



Packing	Type	A	B	W	F	E	P ₁	P ₂	P ₀	D ₀	T
Paper	RMTF06	1.1±0.1	1.9±0.1	8.0±0.2	3.5±0.05	1.75±0.1	4.0±0.1	2.0±0.05	4.0±0.1	φ 1.5	0.64±0.1
	RMTF10	1.6±0.15	2.4±0.2								+0.1
	RMTF12	2.0±0.15	3.6±0.2								-0
	RMTF13	2.8±0.2	3.6±0.2								0.84±0.1

8.1.2 4 mm pitch Emboss :



UNIT: mm

Packing	Type	A	B	W	F	E	P ₁	P ₂	P ₀	D ₀	T
Emboss	RMTF20	2.8±0.2	5.3±0.2	12.0±0.2	5.5±0.05	1.75±0.1	4.0±0.1	2.0±0.05	4.0±0.05	φ 1.5	+0.1
	RMTF25	3.6±0.2	6.9±0.2								-0



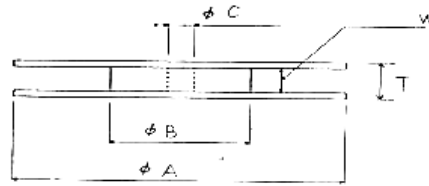
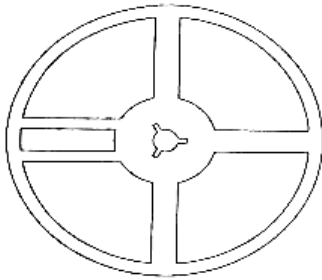
**Automotive Grade Thick Film Chip Resistors
(RMTF series)
Halogen-Free
AEC-Q200 qualified**

Document No.	TRMTF-XX0S001A
Revise Date	2024/01/16
page number	9/12

UNIT: pcs

Type	Size	Package	Emboss Plastic Tape 4 mm pitch
		Paper Tape 4 mm pitch 178mm/R	
RMTF	06		
RMTF	10		
RMTF	12		
RMTF	13		
RMTF	20		4000
RMTF	25		4000

8.2 Reel Specifications:

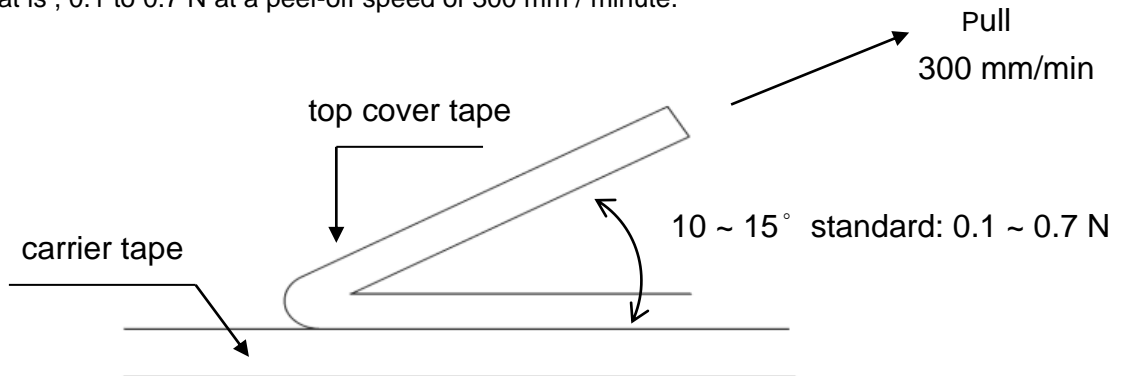


UNIT: mm

Type	ϕA	ϕB	ϕC	W	T
RMTF06 / 10 RMTF12 / 13	178.0 ± 2.0	60.0 ± 1.0	13.0 ± 1.0	9.0 ± 1.0	11.5 ± 1.0
RMTF20 / 25				13.0 ± 1.0	15.5 ± 1.0

8.3. Peel –off force :

Peel –off force of paper and blister tape is in accordance with “JIS-C5202 ”
that is , 0.1 to 0.7 N at a peel-off speed of 300 mm / minute.



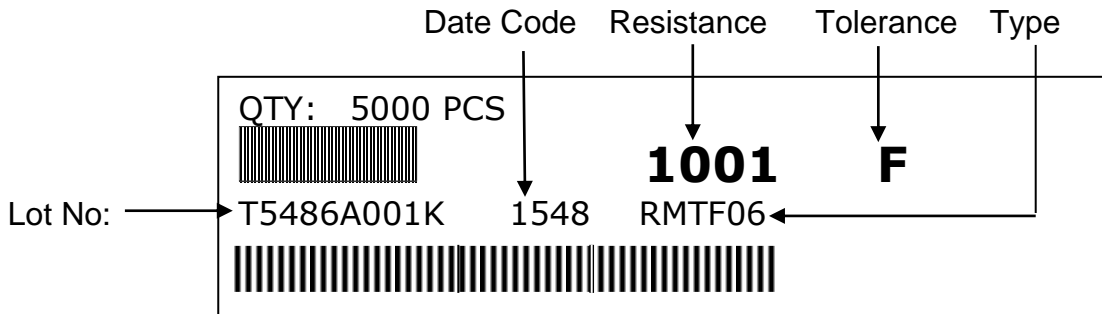


**Automotive Grade Thick Film Chip Resistors
(RMTF series)
Halogen-Free
AEC-Q200 qualified**

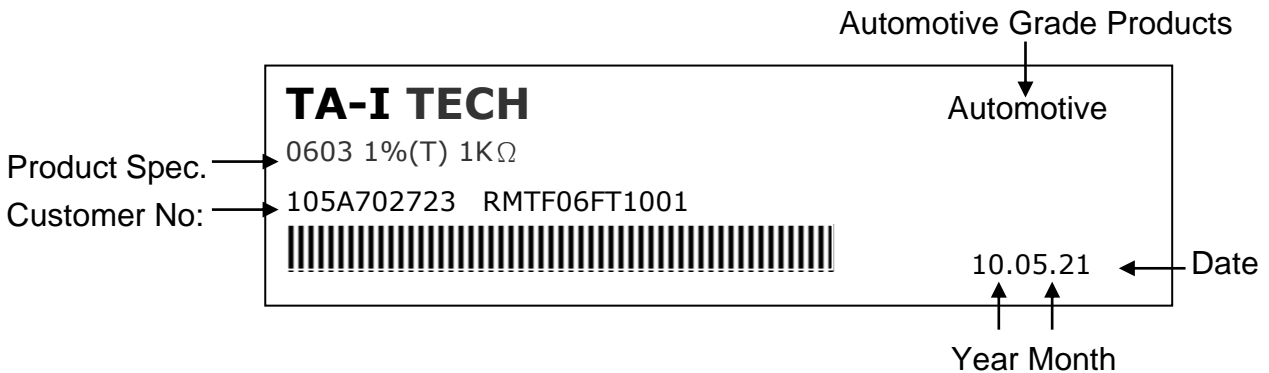
Document No.	TRMTF-XX0S001A
Revise Date	2024/01/16
page number	10/12

9. Label :

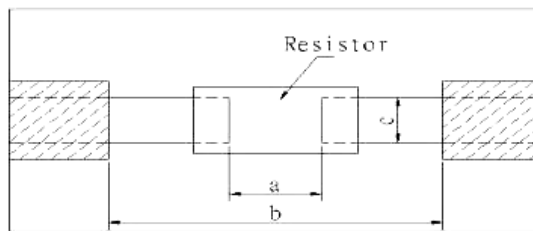
9.1 Manufacture Label :



9.2 Customer Label (By customer request) :



10. Recommended land patterns :



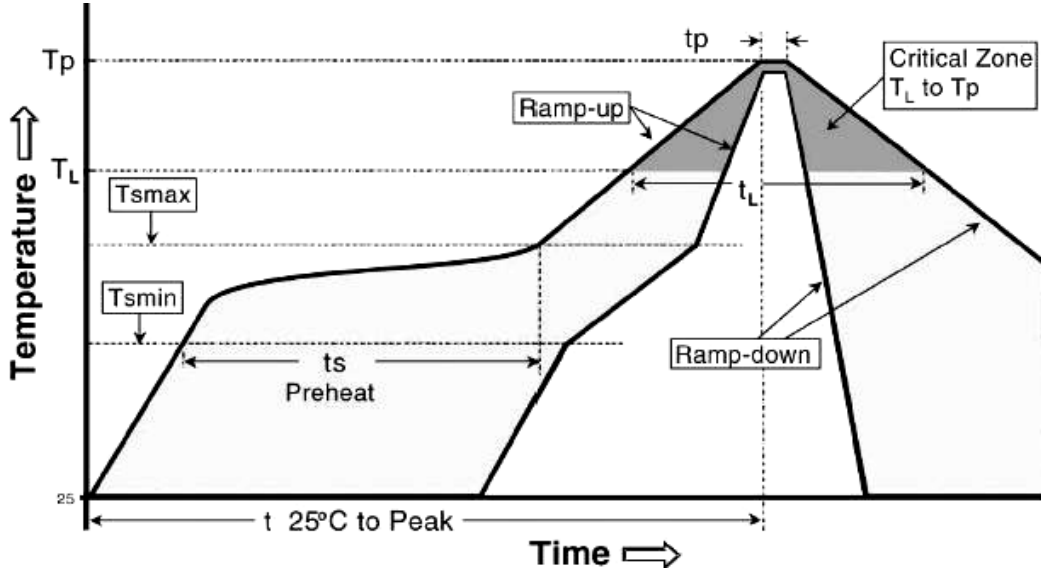
Type	Size	Land pattern			Dimension (mm)		
		a	b	c	a	b	c
RMTF	06 (0603)	0.7~0.9	2.0~2.2	0.8~1.0			
RMTF	10 (0805)	1.0~1.4	3.2~3.8	0.9~1.4			
RMTF	12 (1206)	2.0~2.4	4.4~5.0	1.2~1.8			
RMTF	13 (1210)	2.0~2.4	4.4~5.0	2.3~3.5			
RMTF	20 (2010)	3.3~3.7	5.7~6.5	2.3~3.5			
RMTF	25 (2512)	3.6~4.0	7.6~8.6	2.3~3.5			



**Automotive Grade Thick Film Chip Resistors
(RMTF series)
Halogen-Free
AEC-Q200 qualified**

Document No.	TRMTF-XX0S001A
Revise Date	2024/01/16
page number	11/12

11. Recommend IR – Reflow profile : (solder : Sn96.5 / Ag3 / Cu0.5)



Profile Feature	Lead (Pb)-Free Assembly
Average ramp-up rate (T _{smax} to T _p)	3°C / second max.
Preheat - Temperature Min (T _{smin}) - Temperature Max (T _{smax}) - Time (T _{smin} to T _{smax}) (t _s)	150°C 200°C 60 -120 seconds
Time maintained above : - Temperature (T _L) - Time (T _L)	217°C 60-150 seconds
Peak Temperature (T _p)	260°C
Time within $\begin{matrix} +0 \\ -5 \end{matrix}^\circ\text{C}$ of actual Peak Temperature (t _p) ²	10 seconds
Ramp-down Rate	6°C/second max.
Time 25°C to Peak Temperature	8mimutes max.

Remark : To avoid discoloration phenomena of chip on terminal electrodes, please use N2 Re-flow furnace.



**Automotive Grade Thick Film Chip Resistors
(RMTF series)
Halogen-Free
AEC-Q200 qualified**

Document No.	TRMTF-XX0S001A
Revise Date	2024/01/16
page number	12/12

12. Storage Conditions :

Temperature: 5°C~35°C, Humidity: 40%~75%

13. Shelf Life :

2 years from manufacturing date.

14. ECN :

Engineering Change Notice: The customer will be informed with ECN if there is significant modification on the characteristics and materials described in Approval Sheet.

15. Manufacturing Country & City :

TA-I TECHNOLOGY CO., LTD. (Taiwan – Tao Yuan)
Tel: 886-3-3246169 Fax : 886-3-3246167

Associated companies :

(1) FORTUNE TASK RESISTOR FACTORY (China – Dongguan)
Tel : 86-769-8339-4790~3 Fax : 86-769-8339-4794

(2) TA-I TECHNOLOGY (DONGGUAN) CO., LTD. (China –Dongguan)
Tel : 86-769-8339-4790~3 Fax : 86-769-8339-4794

(3) TA-I TECHNOLOGY (SU ZHOU) CO., LTD. (China – Su Zhou)
Tel :86- 512-63457879 Fax : 86-512-63457869

(4) TAI OHM ELECTRONICS (M) SDN. BHD. (Malaysia – Penang)
Tel :604- 3900480 Fax : 604-3901481