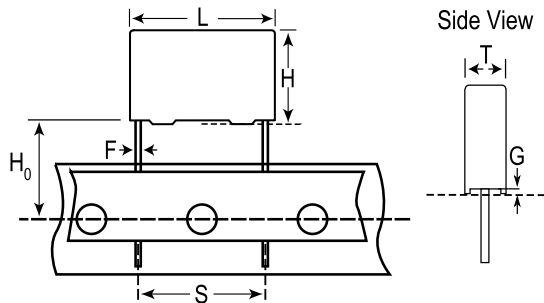


KEMET Part Number: PFR5222H250J11L16.5TA18
(F411JH222H250R)

PFR/F411, Film, Film/Foil Polypropylene, 2200 pF, 2.5%, 250 VDC, 85°C, Lead Spacing = 5mm



| General Information | |
|---------------------|---|
| Series: | PFR/F411 |
| Dielectric: | Film/Foil Polypropylene |
| Style: | Radial |
| Features: | Pulse |
| RoHS: | Yes |
| Lead: | Wire Leads |
| Miscellaneous: | An Operating Temperature Up To +105C Is Allowed Under Certain Conditions. Please Consult KEMET For Details. |

| Dimensions | |
|------------|-----------------|
| L | 7.2mm MAX |
| H | 6mm MAX |
| T | 4.5mm MAX |
| S | 5mm +0.6/-0.1mm |
| H0 | 18.5mm +/-0.5mm |
| F | 0.5mm +/-0.05mm |
| G | 0.5mm NOM |

| Specifications | |
|------------------------|---------------------------------------|
| Capacitance: | 2200 pF |
| Capacitance Tolerance: | 2.5% |
| Voltage AC: | 160 VAC |
| Voltage DC: | 250 VDC |
| Temperature Range: | -55/+100C |
| Rated Temperature: | 85°C |
| Dissipation Factor: | 0.04% 1kHz, 0.05% 10kHz, 0.07% 100kHz |
| Insulation Resistance: | 13636.3636 GOhms |
| Max dV/dt: | 1000 V/us |
| Inductance: | 6 nH |

| Packaging Specifications | |
|--------------------------|-------------------------|
| Packaging: | Ammo, 330x330x50mm, Box |
| Packaging Quantity: | 1700 |

单击下面可查看定价，库存，交付和生命周期等信息

[>>KEMET Electronics\(基美\)](#)