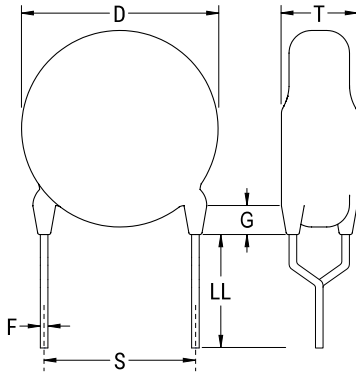


KEMET Part Number: KJN102MQ35FBAAA
(C874DR102M440DV)

KJN SFTY X1-440 Y1-250, Ceramic, 1000 pF, 20%, 440 VAC (X1), 250 VAC (Y1), Y5V, Lead Spacing = 10mm



Dimensions	
D	9mm MAX
T	6.5mm MAX
S	10mm MAX
LL	25mm +/-1mm
F	0.6mm +/-0.1mm

Packaging Specifications	
Packaging:	Bulk, Bag

General Information	
Series:	KJN SFTY X1-440 Y1-250
Style:	Radial Disc
RoHS:	Yes
Termination:	Tin
Failure Rate:	N/A
Qualifications:	ENEC, cUL, CQC, VDE

Specifications	
Capacitance:	1000 pF
Capacitance Tolerance:	20%
Voltage AC:	440 VAC (X1), 250 VAC (Y1)
Dielectric Withstanding Voltage:	4000 VDC
Temperature Range:	-25/+85C
Temperature Coefficient:	Y5V
Dissipation Factor:	2.50%
Insulation Resistance:	10 GOhms
Safety Class:	X1/Y1

Statements of suitability for certain applications are based on our knowledge of typical operating conditions for such applications, but are not intended to constitute - and we specifically disclaim - any warranty concerning suitability for a specific customer application or use. This Information is intended for use only by customers who have the requisite experience and capability to determine the correct products for their application. Any technical advice inferred from this Information or otherwise provided by us with reference to the use of our products is given gratis, and we assume no obligation or liability for the advice given or results obtained.

单击下面可查看定价，库存，交付和生命周期等信息

[>>KEMET Electronics\(基美\)](#)