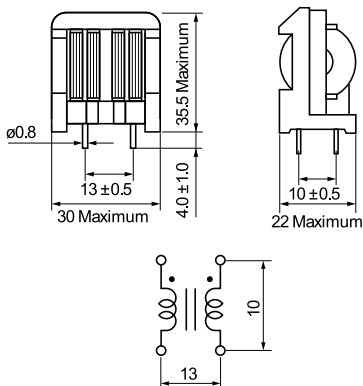


KEMET Part Number: SS28V-R10450-CH Not for New Design
 (UAL28VR10450CH, SS28V/H-R10450-CH)

KEMET, SS28V/H-CH, AC Line Filters, Common Mode, 0.045 H



Dimensions

L	30mm MAX
T	22mm MAX
H	35.5mm MAX
LL	4mm +/-1mm
S	13mm +/-0.5mm

Packaging Specifications

Weight:	33.4 g
----------------	--------

General Information

Series:	SS28V/H-CH
Style:	Through-Hole
RoHS:	Yes
Miscellaneous:	Inductance Measurement Condition: 1kHz 1V KC530

Specifications

Voltage AC:	250 VAC
Inductance:	45 mH
Current:	1 A
Temperature Range:	-25/+120°C
DC Resistance:	650 mOhms

单击下面可查看定价，库存，交付和生命周期等信息

[>>KEMET Electronics\(基美\)](#)