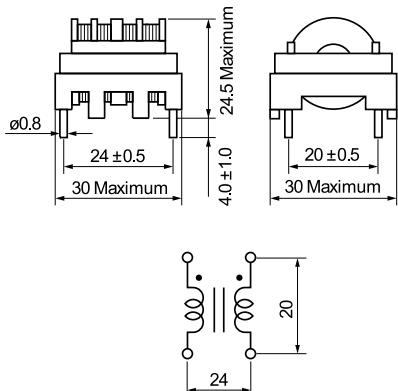


KEMET Part Number: SS28H-R25080-CH **Not for New Design**
(UAL28HR25080CH)

KEMET, SS28V/H-CH, AC Line Filters, Common Mode, 8000 uH



Dimensions	
L	30mm MAX
T	30mm MAX
H	24.5mm MAX
LL	4mm +/-1mm
S	24mm +/-0.5mm

Packaging Specifications	
Weight:	30.5 g

General Information	
Series:	SS28V/H-CH
Style:	Through-Hole
RoHS:	Yes
Miscellaneous:	Inductance Measurement Condition: 1kHz 1V KC530

Specifications	
Voltage AC:	250 VAC
Inductance:	8 mH
Current:	2.5 A
Temperature Range:	-25/+120°C
DC Resistance:	160 mOhms

单击下面可查看定价，库存，交付和生命周期等信息

[>>KEMET Electronics\(基美\)](#)