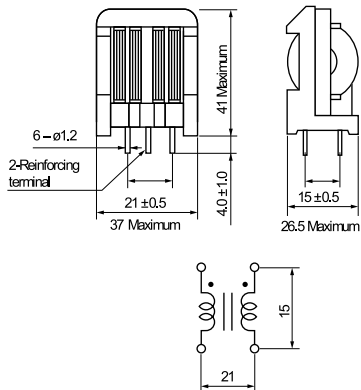


KEMET Part Number: SS35V-45022 Not for New Design
(UAL35V45022000, SS35V/H-45022)

KEMET, SS35V/35H, AC Line Filters, Common Mode, 2200 uH



Dimensions

L	37mm MAX
T	26.5mm MAX
H	41mm MAX
LL	4mm +/-1mm
S	21mm +/-0.5mm

Packaging Specifications

Weight:	53 g
---------	------

General Information

Series:	SS35V/35H
Style:	Through-Hole
RoHS:	Yes
Miscellaneous:	Inductance Measurement Condition: 1kHz 1V KC530

Specifications

Voltage AC:	250 VAC
Inductance:	2.2 mH
Current:	4.5 A
Temperature Range:	-25/+120°C
DC Resistance:	60 mOhms

单击下面可查看定价，库存，交付和生命周期等信息

[>>KEMET Electronics\(基美\)](#)