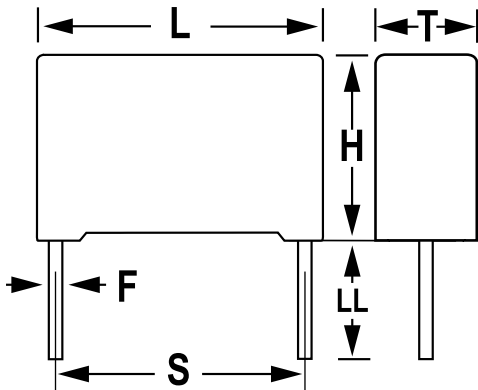


R47\_X1, Film, Metallized Polypropylene, Safety, 2.2 uF, 20%, 440 VAC (X1), 1000 VDC, 110°C, Lead Spacing = 37.5mm



**Dimensions**

L	41.5mm +0.3mm
H	40mm +0.1mm
T	20mm +0.3mm
S	37.5mm +/-0.4mm
LL	4mm +0.5mm
F	1mm +/-0.05mm

**Packaging Specifications**

Packaging:	Bulk, Bag
Packaging Quantity:	126

**General Information**

Series:	R47_X1
Dielectric:	Metallized Polypropylene
Style:	Radial
Features:	EMI Safety
RoHS:	Yes
Lead:	Cut
Qualifications:	ENEC, UL, cUL

**Specifications**

Capacitance:	2.2 uF
Capacitance Tolerance:	20%
Voltage AC:	440 VAC (X1)
Voltage DC:	1000 VDC
Temperature Range:	-40/+110C
Rated Temperature:	110°C
Dissipation Factor:	0.10% 1kHz
Insulation Resistance:	13.6364 GOhms
Max dV/dt:	150 V/us
Safety Class:	X1

Statements of suitability for certain applications are based on our knowledge of typical operating conditions for such applications, but are not intended to constitute - and we specifically disclaim - any warranty concerning suitability for a specific customer application or use. This Information is intended for use only by customers who have the requisite experience and capability to determine the correct products for their application. Any technical advice inferred from this Information or otherwise provided by us with reference to the use of our products is given gratis, and we assume no obligation or liability for the advice given or results obtained.

单击下面可查看定价，库存，交付和生命周期等信息

[>>KEMET Electronics\(基美\)](#)