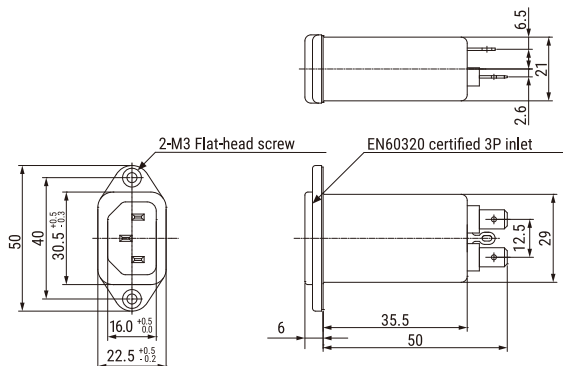


KEMET, GL-FVP, EMI/RFI Filters, Noise Suppression, 250 VAC, 250 V, 6 A



Dimensions

| | |
|----------|------------|
| L | 83.3mm NOM |
| W | 56mm NOM |
| H | 22.5mm NOM |

Packaging Specifications

| | |
|----------------|------|
| Weight: | 40 g |
|----------------|------|

General Information

| | |
|-----------------------|--------------------------------|
| Series: | GL-FVP |
| Style: | Inlet |
| Description: | Noise Filters |
| Features: | Inlet Type |
| RoHS: | Yes |
| Miscellaneous: | 30 K Self-Temperature Rise Max |

Specifications

| | |
|---------------------------|---|
| Voltage AC: | 250 VAC |
| Ripple Current: | 6 A (AC/DC) |
| Temperature Range: | -25/+55C |
| Voltage: | 250 VDC, 1500 VAC Withstanding Voltage 1 Min. Line to Ground |
| Leakage Current: | 0.5 mA MAX (250 V 60 Hz) |
| Resistance: | 300 MOhms MIN Insulation 500 VDC 1 Min. Line To Ground |

Statements of suitability for certain applications are based on our knowledge of typical operating conditions for such applications, but are not intended to constitute - and we specifically disclaim - any warranty concerning suitability for a specific customer application or use. This Information is intended for use only by customers who have the requisite experience and capability to determine the correct products for their application. Any technical advice inferred from this Information or otherwise provided by us with reference to the use of our products is given gratis, and we assume no obligation or liability for the advice given or results obtained.

单击下面可查看定价，库存，交付和生命周期等信息

[>>KEMET Electronics\(基美\)](#)