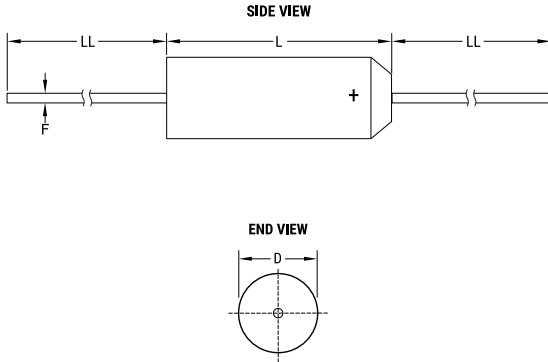


KEMET Part Number: T322D565K035AS7200 Not for New Design
 (T322D565K035AS7241, T322D565K035ASTR)

T322, Tantalum, MnO2 Tantalum, Commercial Grade, 5.6 uF, 10%, 35 VDC, 3 Ohms



Dimensions	
D	4.57mm MAX
L	10.67mm MAX
LL	38.1mm +/-6.35mm
F	0.51mm +/-0.05mm

Packaging Specifications	
Packaging:	T&R, 305mm, Class I, B = 52.4mm
Packaging Quantity:	2500

General Information	
Series:	T322
Dielectric:	MnO2 Tantalum
Style:	Axial
Description:	Axial, Solid Tantalum, Molded, Military (Non-ER), Low ESR
Features:	Low ESR
RoHS:	No
Prop 65:	⚠ WARNING: Cancer and reproductive harm - www.p65warnings.ca.gov
REACH:	SVHC (Pb – CAS 7439-92-1)
Termination:	Lead (SnPb)
Lead:	Wire Leads
AEC-Q200:	No
Notes:	Uninsulated
Shelf Life:	156 Weeks

Specifications	
Capacitance:	5.6 uF
Capacitance Tolerance:	10%
Voltage DC:	35 VDC (85C), 23.35 VDC (125C Surge), 0.35 VDC (125C Reverse)
Temperature Range:	-55/+125°C
Rated Temperature:	85°C
Resistance:	3 Ohms (100kHz)
Leakage Current:	1.6 uA (25°C)

Statements of suitability for certain applications are based on our knowledge of typical operating conditions for such applications, but are not intended to constitute - and we specifically disclaim - any warranty concerning suitability for a specific customer application or use. This Information is intended for use only by customers who have the requisite experience and capability to determine the correct products for their application. Any technical advice inferred from this Information or otherwise provided by us with reference to the use of our products is given gratis, and we assume no obligation or liability for the advice given or results obtained.

单击下面可查看定价，库存，交付和生命周期等信息

[>>KEMET Electronics\(基美\)](#)