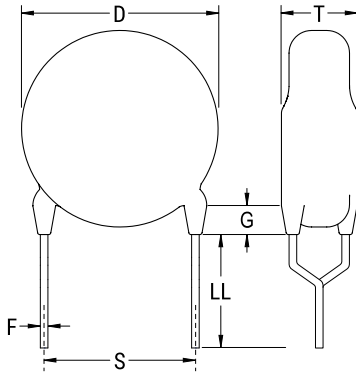


KJY SFTY X1-400 Y2-250, Ceramic, 100 pF, 10%, 400 VAC (X1), 250 VAC (Y2), Y5P, Lead Spacing = 7.5mm



Dimensions	
D	8mm MAX
T	5mm MAX
S	7.5mm MAX
F	0.6mm +/-0.1mm

Packaging Specifications	
Packaging:	T&R, 360mm, H0 = 16mm, Component Pitch = 12.7mm
Packaging Quantity:	3000

General Information	
Series:	KJY SFTY X1-400 Y2-250
Style:	Radial Disc
RoHS:	Yes
Termination:	Tin
Failure Rate:	N/A
Qualifications:	ENEC, cUL, CQC, VDE

Specifications	
Capacitance:	100 pF
Capacitance Tolerance:	10%
Voltage AC:	400 VAC (X1), 250 VAC (Y2)
Dielectric Withstanding Voltage:	2600 VDC
Temperature Range:	-25/+85°C
Temperature Coefficient:	Y5P
Dissipation Factor:	2.50%
Insulation Resistance:	10 GOhms
Safety Class:	X1/Y2

Statements of suitability for certain applications are based on our knowledge of typical operating conditions for such applications, but are not intended to constitute - and we specifically disclaim - any warranty concerning suitability for a specific customer application or use. This Information is intended for use only by customers who have the requisite experience and capability to determine the correct products for their application. Any technical advice inferred from this Information or otherwise provided by us with reference to the use of our products is given gratis, and we assume no obligation or liability for the advice given or results obtained.

单击下面可查看定价，库存，交付和生命周期等信息

[>>KEMET Electronics\(基美\)](#)