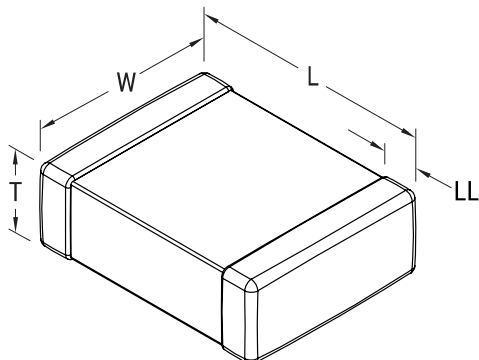


KEMET, L-SMS, Commercial Grade, 330 nH, 10%



| General Information | |
|---------------------|----------------------------------|
| Series: | L-SMS |
| Style: | SMD Chip |
| Description: | Shielded, Surface Mount Inductor |
| Features: | Standard Type |
| RoHS: | Yes |
| Core: | Ceramic |
| Winding Type: | Multilayer |

| Dimensions | |
|------------|-----------------|
| Chip Size | 0805 |
| L | 2mm +0.3/-0.1mm |
| W | 1.25mm +/-0.2mm |
| T | 0.85mm +/-0.2mm |
| LL | 0.5mm +/-0.2mm |

| Specifications | |
|--------------------------|------------------|
| Inductance: | 0.33 uH (25 MHz) |
| Inductance Tolerance: | 10% |
| Temperature Range: | -40/+85°C |
| Current: | 250 mAmps (MAX) |
| DC Resistance: | 0.55 Ohms |
| Quality Factor: | 20 at 25 MHz |
| Self-Resonant Frequency: | 145 MHz |

| Packaging Specifications | |
|--------------------------|------|
| Packaging: | T&R |
| Packaging Quantity: | 4000 |

Statements of suitability for certain applications are based on our knowledge of typical operating conditions for such applications, but are not intended to constitute - and we specifically disclaim - any warranty concerning suitability for a specific customer application or use. This Information is intended for use only by customers who have the requisite experience and capability to determine the correct products for their application. Any technical advice inferred from this Information or otherwise provided by us with reference to the use of our products is given gratis, and we assume no obligation or liability for the advice given or results obtained.

单击下面可查看定价，库存，交付和生命周期等信息

[>>KEMET Electronics\(基美\)](#)