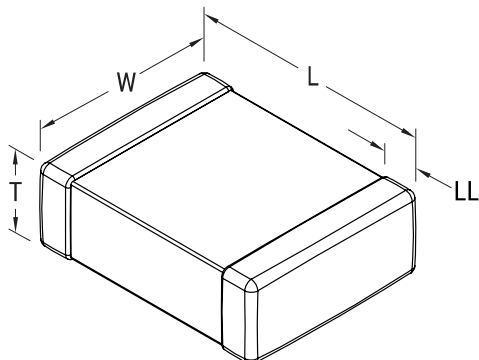


KEMET, L-SMS, Commercial Grade, 10 uH, 20%



| Dimensions | |
|------------|-----------------|
| Chip Size | 0805 |
| L | 2mm +0.3/-0.1mm |
| W | 1.25mm +/-0.2mm |
| T | 1.25mm +/-0.2mm |
| LL | 0.5mm +/-0.2mm |

| Packaging Specifications | |
|--------------------------|------|
| Packaging: | T&R |
| Packaging Quantity: | 2000 |

| General Information | |
|---------------------|----------------------------------|
| Series: | L-SMS |
| Style: | SMD Chip |
| Description: | Shielded, Surface Mount Inductor |
| Features: | Standard Type |
| RoHS: | Yes |
| Core: | Ceramic |
| Winding Type: | Multilayer |

| Specifications | |
|--------------------------|----------------|
| Inductance: | 10 uH (2 MHz) |
| Inductance Tolerance: | 20% |
| Temperature Range: | -40/+85°C |
| Current: | 15 mAmps (MAX) |
| DC Resistance: | 1.15 Ohms |
| Quality Factor: | 50 at 2 MHz |
| Self-Resonant Frequency: | 24 MHz |

单击下面可查看定价，库存，交付和生命周期等信息

[>>KEMET Electronics\(基美\)](#)