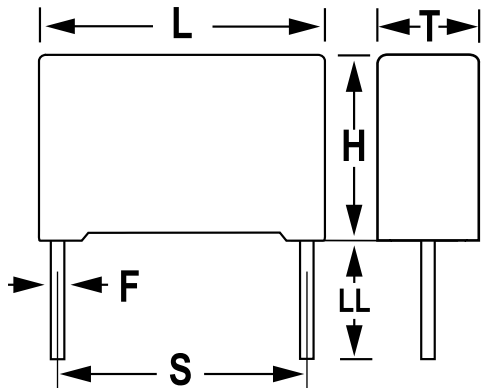


R47_X2_440, Film, Metallized Polypropylene, Automotive Safety, 0.1 uF, 10%, 440 VAC (X2), 1000 VDC, 110°C, Lead Spacing = 15mm



Dimensions

L	18mm +0.5mm
H	19mm +0.1mm
T	11mm +0.2mm
S	15mm +/-0.4mm
LL	4mm +2mm
F	0.8mm +/-0.05mm

Packaging Specifications

Packaging:	Bulk, Bag
Packaging Quantity:	450

General Information

Series:	R47_X2_440
Dielectric:	Metallized Polypropylene
Style:	Radial
Features:	Automotive Grade, EMI Safety
RoHS:	Yes
Lead:	Cut
Qualifications:	AEC-Q200, ENEC, UL, cUL
AEC-Q200:	Yes

Specifications

Capacitance:	0.1 uF
Capacitance Tolerance:	10%
Voltage AC:	440 VAC (X2)
Voltage DC:	1000 VDC
Temperature Range:	-40/+110C
Rated Temperature:	110°C
Dissipation Factor:	0.10% 1kHz
Insulation Resistance:	100 GOhms
Max dV/dt:	600 V/us
Safety Class:	X2

单击下面可查看定价，库存，交付和生命周期等信息

[>>KEMET Electronics\(基美\)](#)