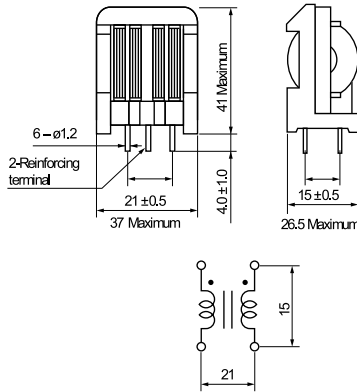


KEMET Part Number: SS35V-30082 **Not for New Design**
 (UAL35V30082000, SS35V/H-30082)

KEMET, SS35V/35H, AC Line Filters, Common Mode, 8200 uH



Dimensions	
L	37mm MAX
T	26.5mm MAX
H	41mm MAX
LL	4mm +/-1mm
S	21mm +/-0.5mm

Packaging Specifications	
Weight:	59 g

General Information	
Series:	SS35V/35H
Style:	Through-Hole
RoHS:	Yes
Miscellaneous:	Inductance Measurement Condition: 1kHz 1V KC530

Specifications	
Voltage AC:	250 VAC
Inductance:	8.2 mH
Current:	3 A
Temperature Range:	-25/+120°C
DC Resistance:	150 mOhms

Statements of suitability for certain applications are based on our knowledge of typical operating conditions for such applications, but are not intended to constitute - and we specifically disclaim - any warranty concerning suitability for a specific customer application or use. This Information is intended for use only by customers who have the requisite experience and capability to determine the correct products for their application. Any technical advice inferred from this Information or otherwise provided by us with reference to the use of our products is given gratis, and we assume no obligation or liability for the advice given or results obtained.

单击下面可查看定价，库存，交付和生命周期等信息

[>>KEMET Electronics\(基美\)](#)