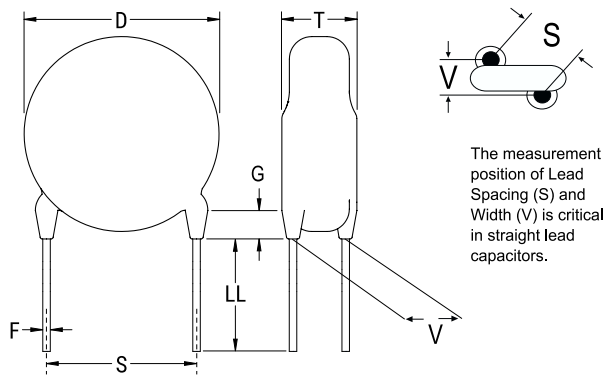


**KEMET Part Number: ERP610W331MEF0**  
(C831EF331M760A, ERP610VH3330MEF0)

ERP610 SFTY X1-760 Y1-500, Ceramic, 330 pF, 20%, 760 VAC (X1), 500 VAC (Y1), Y5U, Lead Spacing = 12.5mm



**Dimensions**

<b>D</b>	8mm MAX
<b>T</b>	6mm MAX
<b>S</b>	12.5mm NOM
<b>LL</b>	30mm -3mm
<b>F</b>	0.6mm +/-0.05mm
<b>G</b>	3mm MAX
<b>V</b>	2.5mm +/-0.5mm

**Packaging Specifications**

<b>Packaging:</b>	Bulk, Bag
-------------------	-----------

**General Information**

<b>Series:</b>	ERP610 SFTY X1-760 Y1-500
<b>Style:</b>	Radial Disc
<b>Description:</b>	Ceramic Single Layer Safety Disc Capacitors
<b>RoHS:</b>	Yes
<b>Termination:</b>	Tin
<b>Qualifications:</b>	UL, CSA, CAN, ENEC, VDE

**Specifications**

<b>Capacitance:</b>	330 pF
<b>Capacitance Tolerance:</b>	20%
<b>Voltage AC:</b>	760 VAC (X1), 500 VAC (Y1)
<b>Temperature Range:</b>	-40/+125°C
<b>Temperature Coefficient:</b>	Y5U
<b>Dissipation Factor:</b>	2.50%
<b>Insulation Resistance:</b>	10 GOhms
<b>Safety Class:</b>	X1/Y1

单击下面可查看定价，库存，交付和生命周期等信息

[>>KEMET Electronics\(基美\)](#)