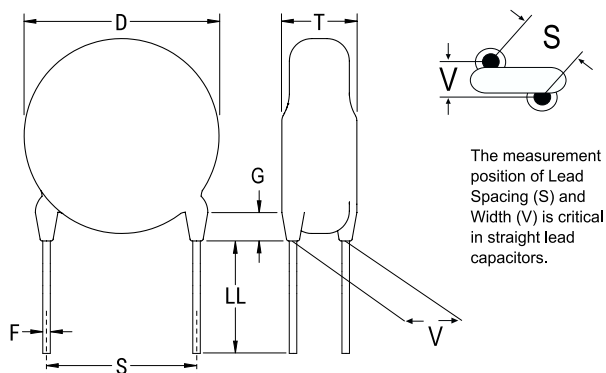


**KEMET Part Number: ERK610Z221MCRE**  
(C811CR221M440K, ERK610RK3220MCRE)

ERK610 SFTY X1-440 Y2-300, Ceramic, 220 pF, 20%, 440 VAC (X1), 300 VAC (Y2), Y5T, Lead Spacing = 7.5mm



General Information	
<b>Series:</b>	ERK610 SFTY X1-440 Y2-300
<b>Style:</b>	Radial Disc
<b>Description:</b>	Ceramic Single Layer Safety Disc Capacitors
<b>RoHS:</b>	Yes
<b>Termination:</b>	Tin
<b>Qualifications:</b>	UL, CSA, CAN, ENEC, VDE
<b>Notes:</b>	Please See Bulletin For Taping Information. H Dimension Refers to Seating Plane To Center Hole of Tape

Dimensions	
<b>D</b>	8mm MAX
<b>H</b>	16.5mm +/-0.5mm
<b>T</b>	6mm MAX
<b>S</b>	7.5mm +0.8/-0.2mm
<b>F</b>	0.6mm +/-0.05mm
<b>G</b>	3mm MAX
<b>V</b>	1.9mm +/-0.5mm

Specifications	
<b>Capacitance:</b>	220 pF
<b>Capacitance Tolerance:</b>	20%
<b>Voltage AC:</b>	440 VAC (X1), 300 VAC (Y2)
<b>Temperature Range:</b>	-40/+125°C
<b>Temperature Coefficient:</b>	Y5T
<b>Dissipation Factor:</b>	2.50%
<b>Insulation Resistance:</b>	6 GOhms
<b>Safety Class:</b>	X1/Y2

Packaging Specifications	
<b>Packaging:</b>	T&R, H = 16.5mm, Component Pitch = 12.7mm

单击下面可查看定价，库存，交付和生命周期等信息

[>>KEMET Electronics\(基美\)](#)