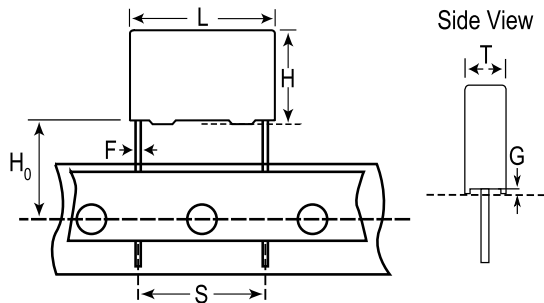


KEMET Part Number: PFR5152H400J11L16.5TR18
(F411JH152H400L)

PFR/F411, Film, Film/Foil Polypropylene, 1500 pF, 2.5%, 400 VDC, 85°C, Lead Spacing = 5mm



General Information	
Series:	PFR/F411
Dielectric:	Film/Foil Polypropylene
Style:	Radial
Features:	Pulse
RoHS:	Yes
Lead:	Wire Leads
Miscellaneous:	An Operating Temperature Up To +105C Is Allowed Under Certain Conditions. Please Consult KEMET For Details.

Dimensions	
L	7.2mm MAX
H	6mm MAX
T	4.5mm MAX
S	5mm +0.6/-0.1mm
H ₀	18.5mm +/-0.5mm
F	0.5mm +/-0.05mm
G	0.5mm NOM

Specifications	
Capacitance:	1500 pF
Capacitance Tolerance:	2.5%
Voltage AC:	220 VAC
Voltage DC:	400 VDC
Temperature Range:	-55/+100C
Rated Temperature:	85°C
Dissipation Factor:	0.04% 1kHz, 0.05% 10kHz, 0.07% 100kHz
Insulation Resistance:	20000 GOhms
Max dV/dt:	1000 V/us
Inductance:	6 nH

Packaging Specifications	
Packaging:	T&R
Packaging Quantity:	1500

单击下面可查看定价，库存，交付和生命周期等信息

[>>KEMET Electronics\(基美\)](#)