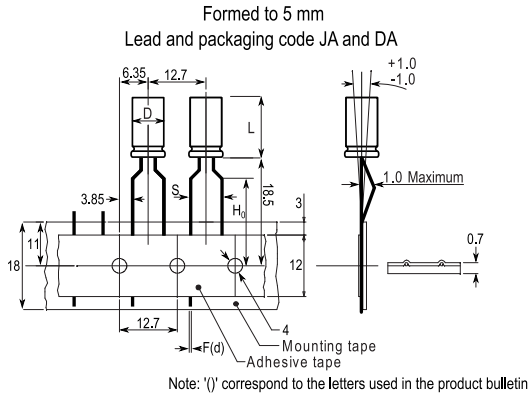


ESY, Aluminum Electrolytic, 100 uF, 20%, 16 VDC, -40/+105°C, Lead Spacing = 5mm



Dimensions

D	8mm +/-0.5mm
L	7mm +1.5mm
S	5mm +/-0.5mm
H0	18.5mm +/-0.75mm
F	0.6mm NOM

Packaging Specifications

Packaging:	T&R
Packaging Quantity:	750

General Information

Series:	ESY
Dielectric:	Aluminum Electrolytic
Description:	LowZ Single Ended Aluminum Electrolytic
Features:	Low Profile(7mm)
RoHS:	Yes
Lead:	Formed To 5mm
AEC-Q200:	No

Specifications

Capacitance:	100 uF
Capacitance Tolerance:	20%
Voltage DC:	16 VDC, 20 VDC (Surge)
Temperature Range:	-40/+105°C
Rated Temperature:	105°C
Life:	1000 Hrs
Dissipation Factor:	16.00%
Resistance:	0.18 Ohms (100kHz)
Ripple Current:	350 mAmps (100kHz 105C)
Leakage Current:	16 uA (2min 20°C)
Impedance Ratio at -25C:	2
Impedance Ratio at -40C:	3

Statements of suitability for certain applications are based on our knowledge of typical operating conditions for such applications, but are not intended to constitute - and we specifically disclaim - any warranty concerning suitability for a specific customer application or use. This Information is intended for use only by customers who have the requisite experience and capability to determine the correct products for their application. Any technical advice inferred from this Information or otherwise provided by us with reference to the use of our products is given gratis, and we assume no obligation or liability for the advice given or results obtained.

单击下面可查看定价，库存，交付和生命周期等信息

[>>KEMET Electronics\(基美\)](#)