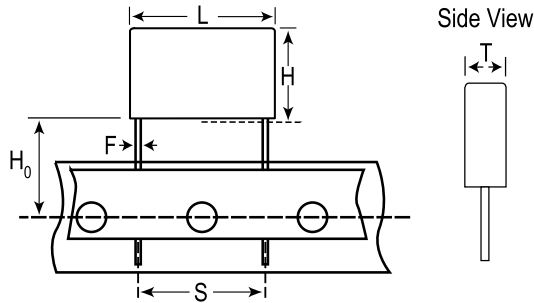


KEMET Part Number: PMR205AC6470M047R19T1 **Not for New Design**
(P405CE474M125PH470)

PMR205/P405, Film, Metallized Paper, Resistor/Capacitor, 0.47 uF, 20%, 250 VDC, 85°C, Lead Spacing = 20.3mm



General Information	
Series:	PMR205/P405
Dielectric:	Metallized Paper
Style:	Radial
Features:	RC Unit not approved
RoHS:	Yes
Lead:	Wire Leads
Construction:	Molded
Miscellaneous:	Resistor Tolerance: +/-30%. Resistor= 47 Ohms

Dimensions	
L	24mm MAX
H	14mm MAX
T	7.6mm MAX
S	20.3mm +0.6/-0.1mm
H0	18.5mm +/-0.5mm
F	0.8mm +/-0.05mm

Specifications	
Capacitance:	0.47 uF
Capacitance Tolerance:	20%
Voltage AC:	125 VAC
Voltage DC:	250 VDC
Temperature Range:	-40/+85°C
Rated Temperature:	85°C
Insulation Resistance:	2.128 GOhms
Safety Class:	X2

Packaging Specifications	
Packaging:	T&R, Large
Packaging Quantity:	500

Statements of suitability for certain applications are based on our knowledge of typical operating conditions for such applications, but are not intended to constitute - and we specifically disclaim - any warranty concerning suitability for a specific customer application or use. This Information is intended for use only by customers who have the requisite experience and capability to determine the correct products for their application. Any technical advice inferred from this Information or otherwise provided by us with reference to the use of our products is given gratis, and we assume no obligation or liability for the advice given or results obtained.

单击下面可查看定价，库存，交付和生命周期等信息

[>>KEMET Electronics\(基美\)](#)

[>>点击查看相关商品](#)