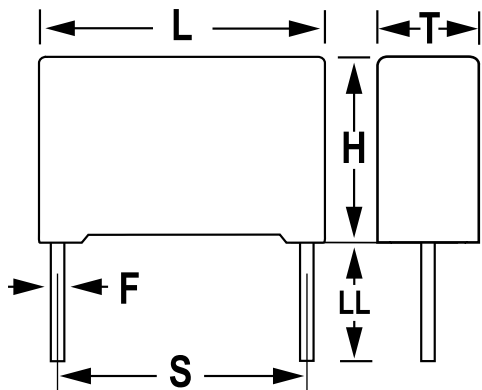


R75, Film, Metallized Polypropylene, General Purpose, 3.9 uF, 5%, 630 VDC, 85°C, Lead Spacing = 37.5mm



Dimensions

Dimension	Value
L	41.5mm +0.3mm
H	32mm +0.1mm
T	19mm +0.3mm
S	37.5mm +/-0.4mm
LL	4mm +2mm
F	1mm +/-0.05mm

Packaging Specifications

Packaging:	Tray
Packaging Quantity:	192

General Information

Series:	R75
Dielectric:	Metallized Polypropylene
Style:	Radial
Features:	Pulse
RoHS:	Yes
Lead:	Cut
Miscellaneous:	Above 85C DC And AC Voltage Derating Is 1.25%/C

Specifications

Capacitance:	3.9 uF
Capacitance Tolerance:	5%
Voltage AC:	250 VAC
Voltage DC:	630 VDC
Temperature Range:	-55/+105C
Rated Temperature:	85°C
Dissipation Factor:	0.06% 1kHz
Insulation Resistance:	7.6923 GOhms
Max dV/dt:	90 V/us
Inductance:	20 nH

单击下面可查看定价，库存，交付和生命周期等信息

[>>KEMET Electronics\(基美\)](#)