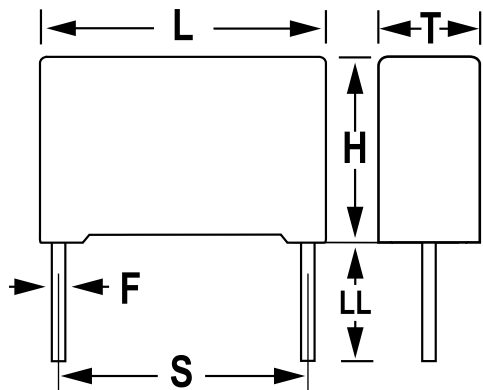


KEMET Part Number: R413I23300000M **Not for New Design**
(413I23300000M)

R41, Film, Metallized Polypropylene, Automotive Safety, 0.033 uF, 20%, 300 VAC (Y2), 1000 VDC, 110°C, Lead Spacing = 15mm



General Information	
Series:	R41
Dielectric:	Metallized Polypropylene
Style:	Radial
Features:	Automotive Grade, EMI Safety
RoHS:	Yes
Lead:	Cut
Qualifications:	AEC-Q200, ENEC, UL, cUL, CQC
AEC-Q200:	Yes
Notes:	Not For New Design

Dimensions	
L	18mm +0.5mm
H	14.5mm +0.1mm
T	8.5mm +0.2mm
S	15mm +/-0.4mm
LL	4mm +2mm
F	0.6mm +/-0.05mm

Specifications	
Capacitance:	0.033 uF
Capacitance Tolerance:	20%
Voltage AC:	300 VAC (Y2)
Voltage DC:	1000 VDC
Temperature Range:	-40/+110C
Rated Temperature:	110°C
Dissipation Factor:	0.30% 1KHz
Insulation Resistance:	100 GOhms
Max dV/dt:	600 V/us
Safety Class:	Y2

Packaging Specifications	
Packaging:	Bulk, Bag
Packaging Quantity:	1000

单击下面可查看定价，库存，交付和生命周期等信息

[>>KEMET Electronics\(基美\)](#)