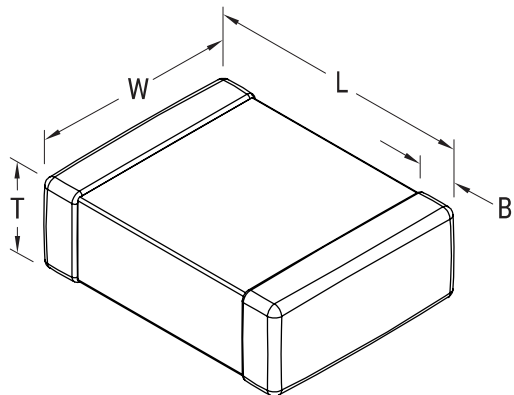


KEMET Part Number: C1210C476M4PACTU
(C1210C476M4PAC7800)

SMD Comm X5R, Ceramic, 47 uF, 20%, 16 VDC, X5R, SMD, MLCC, Temperature Stable, Class II, 1210



Dimensions

L	3.2mm +/-0.3mm
W	2.5mm +/-0.3mm
T	2.5mm +/-0.30mm
B	0.5mm +0.4/-0.25mm

Packaging Specifications

Packaging:	T&R, 180mm, Plastic Tape
Packaging Quantity:	1000

General Information

Series:	SMD Comm X5R
Style:	SMD Chip
Description:	SMD, MLCC, Temperature Stable, Class II
Features:	Temperature Stable, Class II
RoHS:	Yes
Termination:	Tin
Marking:	No
AEC-Q200:	No
Miscellaneous:	Note: Referee time for X5R dielectric for this part number is 48 hours
Chip Size:	1210
Shelf Life:	78 Weeks
MSL:	1

Specifications

Capacitance:	47000000 pF, 120Hz 0.5Vrms
Capacitance Tolerance:	20%
Voltage DC:	16 VDC
Dielectric Withstanding Voltage:	40 VDC
Temperature Range:	-55/+85°C
Temperature Coefficient:	X5R
Capacitance Change with Reference to +25°C and 0 VDC Applied (TCC):	15%, 120Hz 0.5Vrms
Dissipation Factor:	10.00% 120Hz 0.5Vrms
Aging Rate:	5% Loss/Decade Hour
Insulation Resistance:	2 MOhms

单击下面可查看定价，库存，交付和生命周期等信息

[>>KEMET Electronics\(基美\)](#)