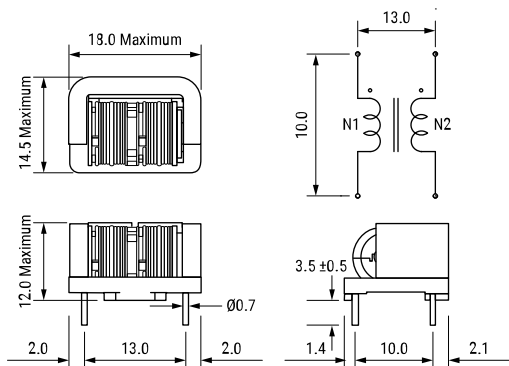


KEMET Part Number: SSRH7H-M15043
(UALSH7M1504300)

KEMET, SSRH7H-M, AC Line Filters, Common Mode, 4300 uH



Dimensions

L	18mm MAX
T	14.5mm MAX
H	12mm MAX
LL	3.5mm +/-0.5mm
S	13mm NOM

Packaging Specifications

Packaging:	Tray
Packaging Quantity:	600
Weight:	5.2 g

General Information

Series:	SSRH7H-M
Style:	Through-Hole
RoHS:	Yes
Notes:	M15 Lot No.
Miscellaneous:	Temperature Rise Maximum: 55 K

Specifications

Voltage AC:	250 VAC
Inductance:	4.3 mH (10 kHz)
Current:	1.5 A
Temperature Range:	-25/+120°C
DC Resistance:	140 mOhms

单击下面可查看定价，库存，交付和生命周期等信息

[>>KEMET Electronics\(基美\)](#)