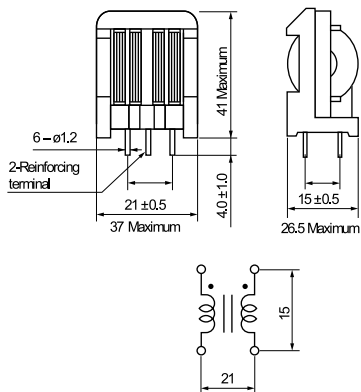


**KEMET Part Number: SS35V-35047** **Not for New Design**  
 (UAL35V35047000, SS35V/H-35047)

KEMET, SS35V/35H, AC Line Filters, Common Mode, 4700 uH



#### Dimensions

Dimension	Value
L	37mm MAX
T	26.5mm MAX
H	41mm MAX
LL	4mm +/-1mm
S	21mm +/-0.5mm

#### Packaging Specifications

<b>Weight:</b>	57 g
----------------	------

#### General Information

<b>Series:</b>	SS35V/35H
<b>Style:</b>	Through-Hole
<b>RoHS:</b>	Yes
<b>Miscellaneous:</b>	Inductance Measurement Condition: 1kHz 1V KC530

#### Specifications

<b>Voltage AC:</b>	250 VAC
<b>Inductance:</b>	4.7 mH
<b>Current:</b>	3.5 A
<b>Temperature Range:</b>	-25/+120°C
<b>DC Resistance:</b>	100 mOhms

单击下面可查看定价，库存，交付和生命周期等信息

[>>KEMET Electronics\(基美\)](#)