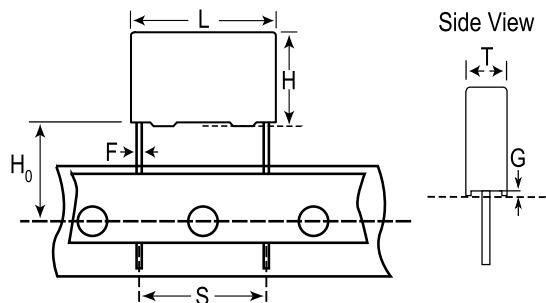


**KEMET Part Number: PHE450KB6100JR17T0**  
(F450BJ104J400L)

PHE450/F450, Film, Double Metallized Polypropylene, General Purpose, 0.1 uF, 5%, 400 VDC, 85°C, Lead Spacing = 15mm



General Information	
Series:	PHE450/F450
Dielectric:	Double Metallized Polypropylene
Style:	Radial
Features:	Pulse
RoHS:	Yes
Lead:	Wire Leads
AEC-Q200:	No
Miscellaneous:	The Rated Voltage Decreases 1.3%/C Between +85C And +105C. R <sub>thja</sub> = 85 C/W (85C), 0.2 m/s

Dimensions	
L	18mm MAX
H	12.5mm MAX
T	6.5mm MAX
S	15mm +0.4/-0.4mm
H <sub>0</sub>	18.5mm +/-0.5mm
F	0.8mm +/-0.05mm
G	0.5mm NOM

Specifications	
Capacitance:	0.1 uF
Capacitance Tolerance:	5%
Voltage AC:	250 VAC
Voltage DC:	400 VDC (85C), 296 VDC (105C)
Temperature Range:	-55/+105°C
Rated Temperature:	85°C
Dissipation Factor:	0.03% 1kHz, 0.04% 10kHz, 0.15% 100kHz
Insulation Resistance:	300 GOhms
Max dV/dt:	1000 V/us
Inductance:	6 nH

Packaging Specifications	
Packaging:	T&R
Packaging Quantity:	500

单击下面可查看定价，库存，交付和生命周期等信息

[>>KEMET Electronics\(基美\)](#)