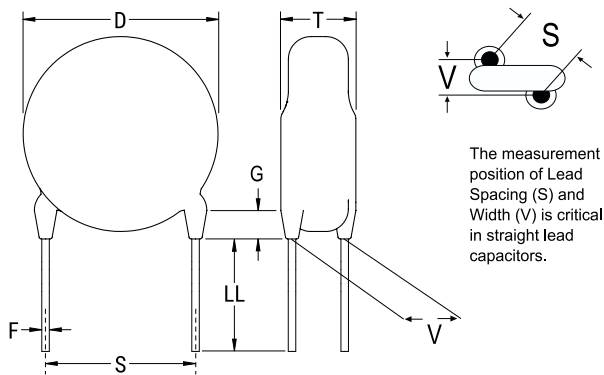


KEMET Part Number: ERO610T102MBRA
(C820BR102M440L, ERO610RJ4100MBRA)

ERO610 SFTY X1-440 Y2-250, Ceramic, 1000 pF, 20%, 440 VAC (X1), 250 VAC (Y2), Y5U, Lead Spacing = 5mm



The measurement position of Lead Spacing (S) and Width (V) is critical in straight lead capacitors.

General Information	
Series:	ERO610 SFTY X1-440 Y2-250
Style:	Radial Disc
Description:	Ceramic Single Layer Safety Disc Capacitors
RoHS:	Yes
Termination:	Tin
Qualifications:	UL, CSA, CAN, ENEC, VDE
Notes:	Please See Bulletin For Taping Information. H Dimension Refers to Seating Plane To Center Hole of Tape

Dimensions	
D	6.5mm MAX
H	18mm +2mm
T	4.5mm MAX
S	5mm +0.8/-0.2mm
F	0.6mm +/-0.05mm
G	3mm MAX
V	1.4mm +/-0.5mm

Specifications	
Capacitance:	1000 pF
Capacitance Tolerance:	20%
Voltage AC:	440 VAC (X1), 250 VAC (Y2)
Temperature Range:	-40/+125°C
Temperature Coefficient:	Y5U
Dissipation Factor:	2.50%
Insulation Resistance:	6 GOhms
Safety Class:	X1/Y2

Packaging Specifications	
Packaging:	T&R, H = 18mm, Component Pitch = 12.7mm

单击下面可查看定价，库存，交付和生命周期等信息

[>>KEMET Electronics\(基美\)](#)