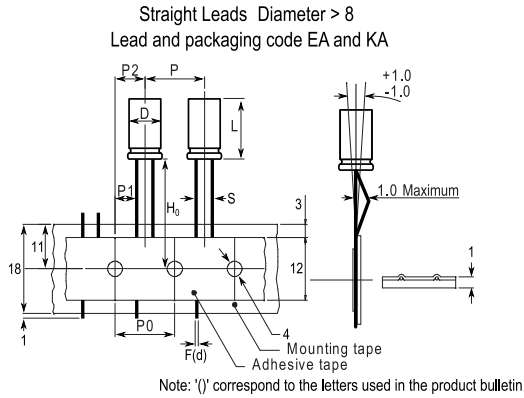


ESG, Aluminum Electrolytic, 10 uF, 20%, 450 VDC, -25/+105°C, Lead Spacing = 5mm



General Information	
Series:	ESG
Dielectric:	Aluminum Electrolytic
Description:	Long Life Single Ended Aluminum Electrolytic
Features:	Long Life
RoHS:	Yes
Lead:	Wire Leads
AEC-Q200:	No
Notes:	P/P0 = 15mm, P1 = 3.85mm, P2 = 7.5mm

Dimensions	
D	13mm +/-0.5mm
L	20mm +2mm
S	5mm +/-0.5mm
H0	18.5mm +/-0.75mm
F	0.6mm NOM

Specifications	
Capacitance:	10 uF
Capacitance Tolerance:	20%
Voltage DC:	450 VDC, 500 VDC (Surge)
Temperature Range:	-25/+105°C
Rated Temperature:	105°C
Life:	5000 Hrs
Dissipation Factor:	24.00% 120Hz 20c
Ripple Current:	110 mAmps (120Hz 105C)
Leakage Current:	280 uA (2min 20°C)
Impedance Ratio at -25C:	6

Packaging Specifications	
Packaging:	T&R

单击下面可查看定价，库存，交付和生命周期等信息

[>>KEMET Electronics\(基美\)](#)