



# Defense and Aerospace

**KEMET**  
CHARGED.™

## Ceramic High Voltage, High Temperature Capacitors

	KEMET Series	Page
Performance Information		1-4
High Temperature, High Voltage Axial/Radial	HT/HP	5-7
High Temperature, High Voltage Radial	HV	8-9
High Voltage Conformally Coated Radial	HV	10-14
High Voltage MIL-PRF-49467 (Equivalent)	HV	15-17
High Voltage Space Quality	HS	18-22
High Voltage Ceramic Chip	1515/1812/1825/2020/ 2225/2520/3333//3530 4040/4540/5440/5550/6560	23-27
High Voltage L & J Leaded	SM20/SM21/SM22/SM23 SM24/SM25/SM26/SM30/ SM31/SM33/SM34/SM35/SM36	28-32
High Voltage Disc	D30/40/50/75/90/100/120	33-34
High Voltage Disc Multiplier Stacks	D30/40/50/75/90/100/120	35

## GENERAL SPECIFICATIONS

### Working Voltage:

C0G	50, 100, 200, 500, 1k, 2k, 3k, 4k, 5k, 7.5k, 10k, 15k, 20k
X7R	50, 100, 200, 500, 1k, 2k, 3k, 4k, 5k, 7.5k, 10k, 15k, 20k, 30k, 40k, 50k
X5U	3k, 4k, 5k, 7.5k, 10k, 15k, 20k

### Temperature Characteristics:

C0G	0 + 30 PPM / °C from - 55°C to + 125°C (1)
X7R	+ 15% from - 55°C to + 125°C
X5U	+ 22%, -56% from -55°C to + 85°C

### Capacitance Tolerance:

C0G	+0.5pF, +1%, +2%, +5%, +10%
X7R	+10%, +20%, +80% / -20%, +100% / -0%
X5U	+10%, +20%, +80% / -20%, +100% / -0%

### Construction:

Epoxy encapsulated - meets flame test requirements of UL Standard 94V-0.  
High-temperature solder - meets EIA RS-198, Method 302, Condition B (260°C for 10 seconds)

### Termination Material:

Check individual Series: Part Number and Ordering Information for Termination Materials offered in each series.

### Solderability:

MIL-STD 202, Method 208  
(Test Method: ANSI/J-STD-002)  
Test A for through-hole mount and surface mount leaded.  
Test B for surface mount leadless components.

### Terminal Strength:

MIL-STD 202, Method 208, Condition A (2.3kg or 5 lbs)

### Resistance to Solvents:

MIL-STD 202, Method 215

### Resistance to Soldering Heat:

MIL-STD 202, Method 210, Test Condition C

## ELECTRICAL

### Capacitance @ 25°C:

Within specified tolerance and following test conditions per MIL-STD 202, Method 305.  
C0G, X7R & X5U  
> 100pF with 1.0 vrms @ 1 kHz with 1.0 vrms  
< 100pF with 1.0 vrms @ 1 MHz with 1.0 vrms

### Dissipation Factor @ 25°C:

Same test conditions as capacitance.  
C0G - 0.15% maximum  
X7R - 2.5% maximum  
X5U - 2.5% maximum

### Insulation Resistance @25°C:

MIL-STD 202, Method 302  
C0G & X7R:  
100 gigohm or 1 gigohm x uF, whichever is less.  
<500V test @ rated voltage, >1kV test @ 500V.  
X5U:  
10 gigohm or 100 megohm x uF, whichever is less.  
<500V test @ rated voltage, >1kV test @ 500V.

### Dielectric Withstanding Voltage:

MIL-STD 202, Method 301  
<200V test @ 250% of rated voltage  
500V to 1250V test @ 150% of rated voltage  
>1251V test @ 120% of rated voltage

## ENVIRONMENTAL

### Vibration:

MIL-STD 202, Method 204, Condition D (20g)

### Shock:

MIL-STD 202, Method 213, Condition I (100g)

### Life Test:

MIL-STD 202, Method 108

### <200V

C0G - 200% rated voltage @ +125°C  
X7R - 200% rated voltage @ +125°C

### >500V

C0G - rated voltage @ +125°C  
X7R - rated voltage @ +125°C  
X5U - rated voltage @ +85°C

### Post Test Limits @ 25°C are:

#### Capacitance Change:

C0G (< 200V) - +3% or 0.25pF, whichever is greater.  
C0G (> 500V) - +3% or 0.50pF, whichever is greater.  
X7R - + 20% of initial value (2)

#### Dissipation Factor:

C0G - 0.25% maximum  
X7R & X5U - 3.0% maximum

#### Insulation Resistance:

C0G & X7R:  
100 gigohm or 1 gigohm x uF, whichever is less.  
<500V test @ rated voltage, >1kV test @ 500V.

#### X5U:

10 gigohm or 100 megohm x uF, whichever is less.  
<500V test @ rated voltage, >1kV test @ 500V.

### Moisture Resistance:

MIL-STD 202, Method 106  
Post Test Limits @ 25°C are:

#### Capacitance Change:

C0G (< 200V) - +3% or 0.25pF, whichever is greater.  
C0G (> 500V) - +3% or 0.50pF, whichever is greater.  
X7R - + 20% of initial value (2)

#### Dissipation Factor:

C0G - 0.25% maximum  
X7R & X5U - 3.0% maximum

#### Insulation Resistance:

C0G & X7R:  
100 gigohm or 1 gigohm x uF, whichever is less.  
<500V test @ rated voltage, >1kV test @ 500V.

#### X5U:

10 gigohm or 100 megohm x uF, whichever is less.  
<500V test @ rated voltage, >1kV test @ 500V.

### Thermal Shock:

MIL-STD 202, Method 107, Condition A  
C0G & X7R: -55°C to 125°C  
X5U: -55°C to 85°C

- (1) +53 PPM -30 PPM/ °C from +25°C to -55°C, + 60 PPM below 10pF.
- (2) X7R & X5U dielectrics exhibit aging characteristics; therefore, it is highly recommended that capacitors be deaged for 2 hours at 150°C and stabilized at room temperature for 48 hours before capacitance measurements are made.

	HIGH TEMPERATURE	HIGH VOLTAGE
<b>MILITARY &amp; AEROSPACE</b>		
Avionics	X	X
Radar Systems	X	X
Telemetry, Data Tx/Rx		X
Control Systems	X	
<b>MEDICAL</b>		
.5 to 1.5 Tesla MR1 &		X
NM1 Tuning Coils		X
1 to 3 Tesla MR1 Gradient		X
Coils & Magnetic Rings		X
CT-Scanner		X
Medical MRI		X
X-Ray Generator	X	X
<b>SEMICONDUCTOR</b>		
RF Tuning Networks		X
RF Power Supplies		X
Semiconductor Manufacturing	X	
<b>SECURITY</b>		
Handheld Scanners		X
Intruder Detection Systems		X
Luggage Scanners		X
Metal/Explosive Detector		X
<b>OTHER</b>		
LCD Backlight Inverter		X
Electric Ballast for CFL	X	X
Electric Ballast for Fluorescent Lamp	X	X
Measurement Equipment	X	X
Microwave/Convection Ovens	X	X
<b>POWER SUPPLY</b>		
HV Power Supply	X	X
Power Station Equipment		X
Power Supply for Air Conditioner, Washing Machine		X
Inverter Power Supply-AC	X	
<b>TELECOM</b>		
Base Station Power amps		X
Broadcasting Equipment		X
<b>MODEM</b>		
DAA Modem		X
xDSL Modem		X
LAN, Router, HUB, Switches		X
RF Power Amplifiers		X
<b>INDUSTRIAL</b>		
Oil Rigging, Down Hole, Mining	X	X

	ELECTRICAL			ENVIRONMENTAL	MECHANICAL
	Voltage Range	Capacitance Range	Dissipation Factor	Operating Temperature Range	Configuration
<b>HIGH VOLTAGE</b>					
Radial Conformally Coated					
Std	C0G/X7R: 500 to 10k VDC	C0G:12 pF - .330μF X7R: 220 pF - 5.6 μF	C0G: 0.15% max X7R: 2.5% max	C0G: -55°C to + 125°C X7R: -55°C to + 125°C	Radial
Mil-PRF-49467 Equivalent	C0G/X7R: 600 to 5k VDC	C0G: 12 pF - .68 μF X7R: 27 pF - .47 μF	C0G: 0.15% max X7R: 2.5% max	C0G/X7R: -55°C to + 125°C	Radial
Space Quality	C0G/X7R: 500 to 10k VDC	C0G/X7R: 560 pF - 2.20μF	C0G: 0.15% max X7R: 2.5% max	C0G/X7R: -55°C to + 125°C	Radial
Ceramic Surface Mount Chip					
Military	C0G/X7R: 500 to 5k VDC	C0G: 12 pF- .10 μF X7R: 270 pF -2.50 μF	C0G: 0.15% max X7R: 2.5% max	C0G/X7R: -55°C to + 125°C	Chip
Leaded Chips J or L lead	C0G/X7R: 500 to 10k VDC	C0G: 12 pF-.330 μF X7R: 220 pF-5.6 μF	C0G: 0.15% max X7R: 2.5% max	C0G/X7R: -55°C to + 125°C	Leaded Chip J or L Lead
Disc	C0G/X5U: 3k to 20k VDC, X7R:3k to 50k VDC	C0G: 1.2 pF-236 pF X7R: 10 p -7400 pF X5U: 80 pF-17300 pF	C0G: 0.15% max X7R: 2.5% max X5U: 2.5% max	C0G/X7R: -55°C to + 125°C X5U: -55°C to + 85°C	Disc
Disc Stack	C0G/X7R/X5U: 5k to 20k VDC	C0G: 1.2 pF-141 pF X7R: 37 pF-4400 pF X5U: 80 pF-10400 pF	C0G: 0.15% max X7R: 2.5% max X5U: 2.5% max	C0G/X7R: -55°C to + 125°C X5U: -55°C to + 85°C	Disc Stack

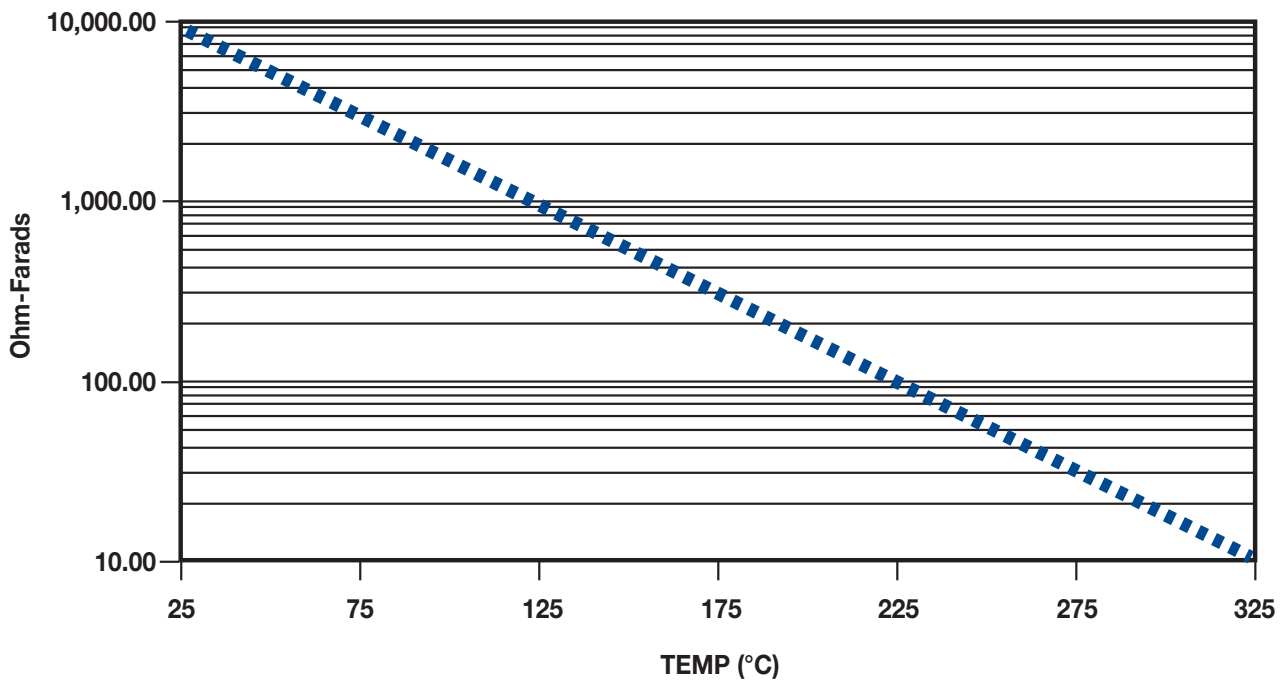
## HIGH TEMPERATURE

Hi Temp (HT/HP)	100 to 200 VDC	C0G: 22 pF-.100 μF X7R:1000 pF-1.0μF	C0G 0.15% X7R Type 2.0% X7R 2.50%	-55°C to + 200°C	Axial/Radial
Hi Temp Hi Volt (HV)	500 to 4000 VDC	C0G: 390 pF-.015 μF X7R:1400 pF- .270 μF	C0G 0.15% X7R Type 2.0% X7R 2.50%	-55°C to + 200°C	Radial
Ceramic Cased Capacitor					
Std 125°C (SCR/SRR/SCA/SRA)	50 to 200 VDC	C0G: 1.0 pF- .12 μF X7R:100 pF- 6.8 μF	C0G 0.15% X7R 2.50%	-55°C to + 125°C	Axial/Radial
200°C (ACR/ARR/ACA/ARA)	50 to 100 VDC	C0G: 1.0 pF- .12 μF X7R:100 pF- 3.3 μF	C0G 0.15% X7R 2.50%	-55°C to + 200°C	Axial/Radial
260°C (TCR/TRR/TCA/TRA)	50 to 100 VDC	C0G: 1.0 pF- .12 μF X7R:100 pF- 3.3 μF	C0G 0.15% X7R 2.50%	-55°C to + 260°C	Axial/Radial
Hi Temp Hi Volt (VCR/VRR)	500 to 5000 VDC	C0G: 10 pF-.056 μF X7R:330 pF-1.2μF	C0G 0.15% X7R 2.50%	-55°C to + 200°C	Radial

**DIELECTRIC COMPARISONS**

Features	Ultra Stable	Semi-Stable High Voltage	Semi-Stable Hi-Temp	Temp/Volt Dependent
Dielectric Type	C0G (NPO)	X7R	X7R type	X5U
Temperature Coefficient	0 ±30ppm/°C	±15%	+15/-40%	+22-56%
Operating Temp. Range	-55 to +200°C	-55 to +125°C	-55 to +200°C	-55 to +125°C
Dissipation Factor	0.1% max.	2.5% max.	2.0% max.	2.5% max.
Aging Rate	None	-2.0% max/dec. hour	-2.0% max/dec. hour	-2.0% max/dec. hour
Voltage Range	25 to 20k VDC	50 to 50k VDC	25 to 4k VDC	Up to 20K VDC
Standard Tolerance	J, K, M	K, M, P, Z	K, M, P, Z	M, P, Z
Coefficient of Thermal Expansion @ 25°C	9 X 10-6 IN/IN °C	11 X 10-6 IN/IN °C	11 X 10-6 IN/IN °C	11 X 10-6 IN/IN °C

**TYPICAL INSULATION RESISTANCE VS. TEMP (C°)  
FOR C0G, NPO & X7R DIELECTRICS**





## FEATURES

The HT/HP Series is used in robust applications

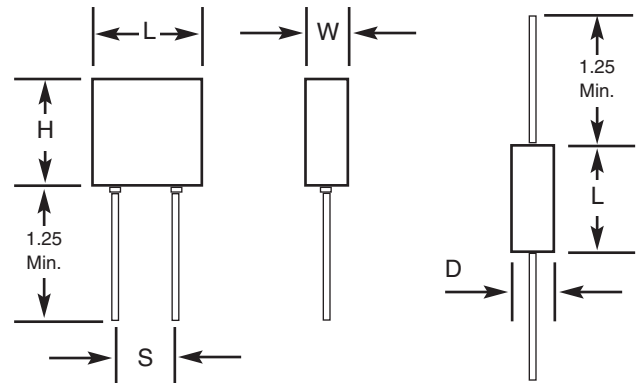
- Down Hole
- Industrial
- Harsh Environments

**Where a Radial/Axial coated capacitor can withstand high temperatures (200°C).**

**NOTE:**

Other tolerances, higher capacitance values, voltages, or special package configurations are available upon request.

## CAPACITOR OUTLINE DRAWING



## DIMENSIONS

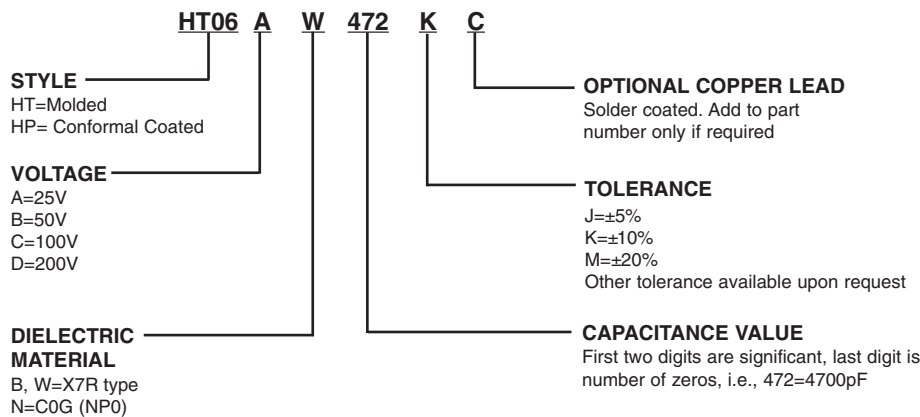
Molded (HT) and Conformal Coated (HP), Radial Lead Types

Style	Sizes in Inches (mm) max			Lead Spacing ±0.030 (S)
	Length (L)	Height (H)	Thickness (W)	
HT05	.200 (5.08)	.200 (5.08)	.100 (2.54)	.100 (2.54)
HT55	.200 (5.08)	.200 (5.08)	.100 (2.54)	.200 (5.08)
HT06	.300 (7.62)	.300 (7.62)	.150 (3.81)	.200 (5.08)
HT08	.500 (12.70)	.500 (12.70)	.250 (6.35)	.400 (10.16)
HT09	.700 (17.78)	.400 (10.16)	.200 (5.08)	.500 (12.70)

Tubular Case, Axial Lead Types

Style	Sizes in Inches (mm) max	
	Length (L)	Diameter (D)
HT11	.170 (4.32)	.100 (2.54)
HT13	.260 (6.60)	.135 (3.43)
HT14	.400 (10.16)	.155 (3.94)
HT15	.500 (12.70)	.200 (5.08)
HT16	.750 (19.05)	.375 (9.52)

## PART NUMBER AND ORDERING INFORMATION



**MARKING**

(HT05, HT55, HT11)  
472K  
KEC

(All other sizes)  
HT06AW472K  
KEC  
Date Code

For CONFORMAL COATED types, change style number to HPXX. HP dimensions will be reduced slightly.

## COG & X7R DIELECTRIC

Radial COG							Radial X7R									
Series		HT/HP05	HT/HP55	HT/HP06	HT/HP08	HT/HP09	Series		HT/HP05	HT/HP55	HT/HP06	HT/HP08	HT/HP09			
Cap	W max	.200 (5.08)	.200 (5.08)	.300 (7.62)	.500 (12.70)	.700 (17.78)	Cap	W max	.200 (5.08)	.200 (5.08)	.300 (7.62)	.500 (12.70)	.700 (17.78)			
	H max	.200 (5.08)	.200 (5.08)	.300 (7.62)	.500 (12.70)	.400 (10.16)		H max	.200 (5.08)	.200 (5.08)	.300 (7.62)	.500 (12.70)	.400 (10.16)			
	T max	.100 (2.54)	.100 (2.54)	.150 (3.81)	.250 (6.35)	.200 (5.08)		T max	.100 (2.54)	.100 (2.54)	.150 (3.81)	.250 (6.35)	.200 (5.08)			
	S ±.030	.100 (2.54)	.200 (5.08)	.200 (5.08)	.400 (10.16)	.500 (12.70)		S ±.030	.100 (2.54)	.200 (5.08)	.200 (5.08)	.400 (10.16)	.500 (12.70)			
	Lead Dia.	.025 (.635)	.025 (.635)	.025 (.635)	.025 (.635)	.025 (.635)		Lead Dia.	.025 (.635)	.025 (.635)	.025 (.635)	.025 (.635)	.025 (.635)	.025 (.635)		
Cap Code	Cap	WVDC			WVDC			WVDC			WVDC			WVDC		
		50	100	200	50	100	200	50	100	200	50	100	200	50	100	200
1.0pF	109															
1.2	129															
1.5	159															
1.8	189															
2.2	229															
2.7	279															
3.3	339															
3.9	399															
4.7	479															
5.6	569															
6.8	689															
8.2	829															
10	100															
12	120															
15	150															
18	180															
22	220															
27	270															
33	330															
39	390															
47	470															
56	560															
68	680															
82	820															
100	101															
120	121															
150	151															
180	181															
220	221															
270	271															
330	331															
390	391															
470	471															
560	561															
680	681															
820	821															
1000	102															
1200	122															
1500	152															
1800	182															
2200	222															
2700	272															
3300	332															
3900	392															
4700	472															
5600	562															
6800	682															
8200	822															
.010uF	103															
.012	123															
.015	153															
.018	183															
.022	223															
.027	273															
.033	333															
.039	393															
.047	473															
.056	563															
.068	683															
.082	823															
.10	104															
.12	124															
.15	154															
.010uF	103															
.012	123															
.015	153															
.018	183															
.022	223															
.027	273															
.033	333															
.039	393															
.047	473															
.056	563															
.068	683															
.082	823															
.10	104															
.12	124															
.15	154															
.010uF	103															
.012	123															
.015	153															
.018	183															
.022	223															
.027	273															
.033	333															
.039	393															
.047	473															
.056	563															
.068	683															
.082	823															
.10	104															
.12	124															
.15	154															



## COG & X7R DIELECTRIC

Radial COG							Radial X7R								
Series		HT/HP05	HT/HP55	HT/HP06	HT/HP08	HT/HP09	Series		HT/HP05	HT/HP55	HT/HP06	HT/HP08	HT/HP09		
Cap	W max	.200 (5.08)	.200 (5.08)	.300 (7.62)	.500 (12.70)	.700 (17.78)	Cap	W max	.200 (5.08)	.200 (5.08)	.300 (7.62)	.500 (12.70)	.700 (17.78)		
	H max	.200 (5.08)	.200 (5.08)	.300 (7.62)	.500 (12.70)	.400 (10.16)		H max	.200 (5.08)	.200 (5.08)	.300 (7.62)	.500 (12.70)	.400 (10.16)		
	T max	.100 (2.54)	.100 (2.54)	.150 (3.81)	.250 (6.35)	.200 (5.08)		T max	.100 (2.54)	.100 (2.54)	.150 (3.81)	.250 (6.35)	.200 (5.08)		
	S ±.030	.100 (2.54)	.200 (5.08)	.200 (5.08)	.400 (10.16)	.500 (12.70)		S ±.030	.100 (2.54)	.200 (5.08)	.200 (5.08)	.400 (10.16)	.500 (12.70)		
	Lead Dia.	.025 (.635)	.025 (.635)	.025 (.635)	.025 (.635)	.025 (.635)		Lead Dia.	.025 (.635)	.025 (.635)	.025 (.635)	.025 (.635)	.025 (.635)	.025 (.635)	
Cap Code	WVDC	WVDC			WVDC			Cap Code	WVDC	WVDC			WVDC		
		50	100	200	50	100	200			50	100	200	50	100	200
1.0pF	109						100pF	101							
1.2	129						120	121							
1.5	159						150	151							
1.8	189						180	181							
2.2	229						220	221							
2.7	279						270	271							
3.3	339						330	331							
3.9	399						390	391							
4.7	479						470	471							
5.6	569						560	561							
6.8	689						680	681							
8.2	829						820	821							
10	100						1000	102							
12	120						1200	122							
15	150						1500	152							
18	180						1800	182							
22	220						2200	222							
27	270						2700	272							
33	330						3300	332							
39	390						3900	392							
47	470						4700	472							
56	560						5600	562							
68	680						6800	682							
82	820						8200	822							
100	101						.010uF	103							
120	121						.012	123							
150	151						.015	153							
180	181						.018	183							
220	221						.022	223							
270	271						.027	273							
330	331						.033	333							
390	391						.039	393							
470	471						.047	473							
560	561						.056	563							
680	681						.068	683							
820	821						.082	823							
1000	102						.10	104							
1200	122						.12	124							
1500	152						.15	154							
1800	182						.18	184							
2200	222						.22	224							
2700	272						.27	274							
3300	332						.33	334							
3900	392						.39	394							
4700	472						.47	474							
5600	562						.56	564							
6800	682						.68	684							
8200	822						.82	824							
.010uF	103						1.0	105							
.012	123						1.2	125							
.015	153						1.5	155							
.018	183						1.8	185							
.022	223						2.2	225							
.027	273						2.7	275							
.033	333						3.3	335							
.039	393						3.9	395							
.047	473						4.7	475							
.056	563														
.068	683														
.082	823														
.10	104														
.12	124														
.15	154														

## FEATURES

The HV series not only withstands high temperatures (200°C), but also offers high voltage (500-4000 VDC)

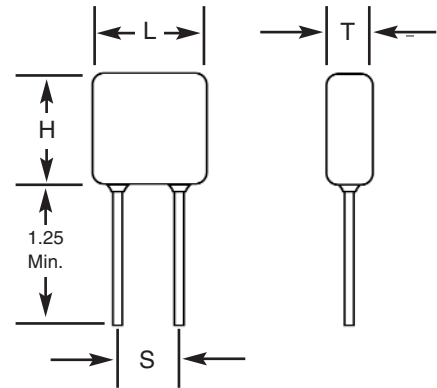
To be used in robust applications

- Down Hole
- Industrial
- Harsh Environments

**NOTE:**

Other tolerances, higher capacitance values, voltages, or special package configurations are available upon request.

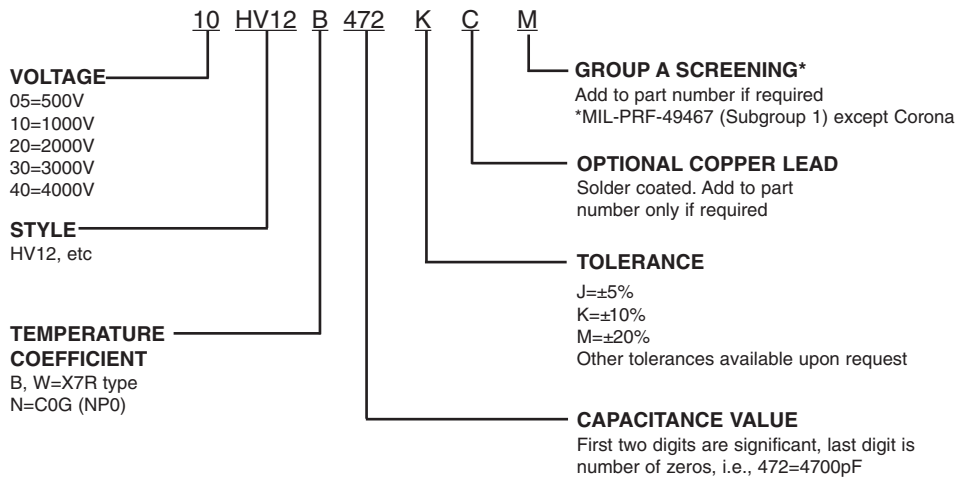
## CAPACITOR OUTLINE DRAWING



## DIMENSIONS

Style	Sizes in Inches (mm) max.			Lead Spacing ±0.030 (S)
	Length (L)	Height (H)	Thickness (T)	
HV10	.250 (6.35)	.220 (5.59)	.150 (3.81)	.170 (4.32)
HV11	.320 (8.13)	.300 (7.62)	.250 (6.35)	.200 (5.08)
HV12	.420 (10.67)	.400 (10.16)	.250 (6.35)	.300 (7.62)
HV13	.520 (13.21)	.500 (12.70)	.300 (7.62)	.400 (10.16)
HV14	.620 (15.75)	.500 (12.70)	.300 (7.62)	.500 (12.70)
HV15	.720 (18.29)	.700 (17.78)	.300 (7.62)	.600 (15.24)
HV16	.820 (20.83)	.700 (17.78)	.350 (8.89)	.700 (17.78)

## PART NUMBER AND ORDERING INFORMATION



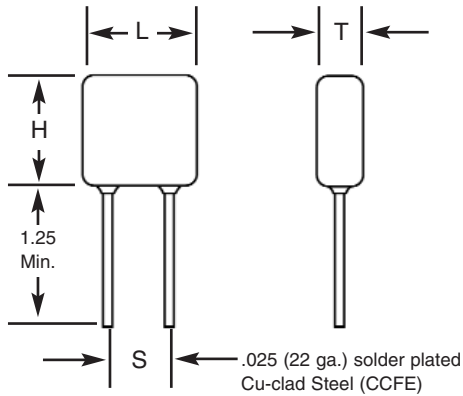
**MARKING**  
(HV10, HV11)  
472M  
KEC  
Date Code

(All other sizes)  
HV12B472M  
1kV  
KEC  
Date Code

## COG DIELECTRIC

STYLE COG		HV10			HV11			HV12			HV13			HV14			HV15			HV16											
Cap	L max	.250 (6.35)			.320 (8.13)			.420 (10.67)			.520 (13.21)			.620 (15.75)			.720 (18.29)			.820 (20.83)											
	H max	.220 (5.59)			.300 (7.62)			.400 (10.16)			.500 (12.70)			.500 (12.70)			.700 (17.78)			.700 (17.78)											
	W max	.150 (3.81)			.250 (6.35)			.250 (6.35)			.300 (7.62)			.300 (7.62)			.300 (7.62)			.350 (8.89)											
	S ± .030	.170 (4.32)			.200 (5.08)			.300 (7.62)			.400 (10.16)			.500 (12.70)			.600 (15.24)			.700 (17.78)											
	Lead Dia. +.004/-0.002	.025 (.635)			.025 (.635)			.025 (.635)			.025 (.635)			.025 (.635)			.025 (.635)			.025 (.635)											
	Cap Code	WVDC			WVDC			WVDC			WVDC			WVDC			WVDC			WVDC											
pF		500	1k	2k	500	1k	2k	3k	500	1k	2k	3k	500	1k	2k	3k	500	1k	2k	3k	4k	500	1k	2k	3k	4k	500	1k	2k	3k	4k
12pF	120																														
15	150																														
18	180																														
22	220																														
27	270																														
33	330																														
39	390																														
47	470																														
56	560																														
68	680																														
82	820																														
100	101																														
120	121																														
150	151																														
180	181																														
220	221																														
270	271																														
330	331																														
390	391																														
470	471																														
560	561																														
680	681																														
820	821																														
1000	102																														
1200	122																														
1500	152																														
1800	182																														
2200	222																														
2700	272																														
3300	332																														
3900	392																														
4700	472																														
5600	562																														
6800	682																														
8200	822																														
.010uF	103																														
.012	123																														
.015	153																														

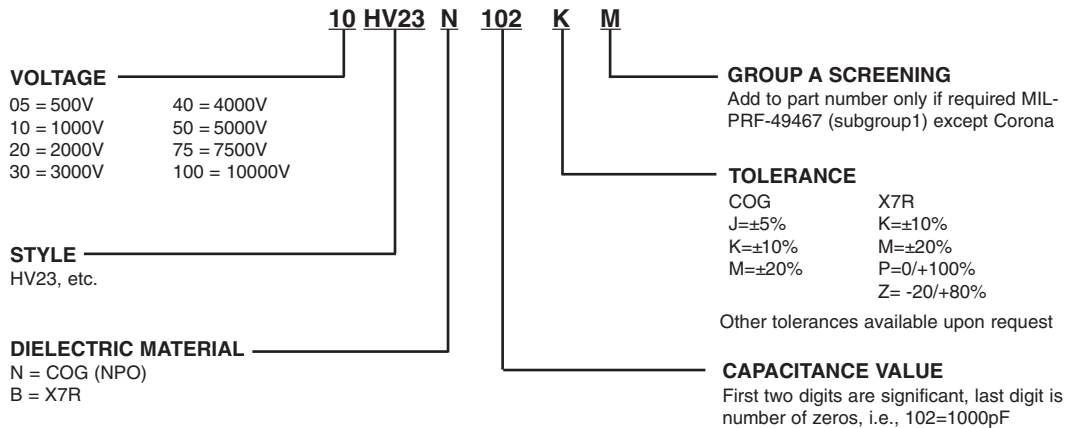
## CAPACITOR OUTLINE DRAWING



## DIMENSIONS

Style	Sizes in Inches (mm) max.			Lead Spacing ±0.030 (S)
	Length (L)	Height (H)	Thickness (T)	
HV20	.250 (6.35)	.220 (5.59)	.200 (5.08)	.170 (4.32)
HV21	.320 (8.13)	.280 (7.11)	.250 (6.35)	.220 (5.59)
HV22	.370 (9.40)	.300 (7.62)	.250 (6.35)	.275 (6.98)
HV23	.470 (11.94)	.400 (10.16)	.270 (6.89)	.375 (9.52)
HV24	.570 (14.48)	.500 (12.70)	.270 (6.89)	.475 (12.06)
HV25	.670 (17.02)	.600 (15.24)	.270 (6.89)	.575 (14.60)
HV26	.770 (19.56)	.720 (18.29)	.270 (6.89)	.675 (17.14)
HV30	.450 (11.43)	.220 (5.59)	.200 (5.08)	.300 (7.62)
HV31	.550 (13.97)	.280 (7.11)	.250 (6.35)	.400 (10.16)
HV33	.850 (21.59)	.400 (10.16)	.270 (6.89)	.700 (17.78)
HV34	1.050 (26.67)	.500 (12.70)	.270 (6.89)	.975 (24.76)
HV35	1.250 (31.75)	.600 (15.24)	.270 (6.89)	1.175 (29.84)
HV36	1.450 (36.83)	.720 (18.29)	.270 (6.89)	1.375 (34.92)

## PART NUMBER AND ORDERING INFORMATION



## MARKING

(HV20, HV21)	(All Other Sizes)
103K	HV24A103K
1 kV	1 kV
KEC	KEC
Date Code	Date Code





**X7R DIELECTRIC**

STYLE	X7R	HV20			HV21			HV22			HV23			HV24					HV25					HV26																			
		W max	L max	T max	S ±.030	Lead Dia. +.004/-0.02	Cap Code	PF	500	1k	2k	500	1k	2k	3k	500	1k	2k	3k	500	1k	2k	3k	4k	5k	500	1k	2k	3k	4k	5k	500	1k	2k	3k	4k	5k						
270pF	271																																										
330	331																																										
390	391																																										
470	471																																										
560	561																																										
680	681																																										
820	821																																										
1000	102																																										
1200	122																																										
1500	152																																										
1800	182																																										
2200	222																																										
2700	272																																										
3300	332																																										
3900	392																																										
4700	472																																										
5600	562																																										
6800	682																																										
8200	822																																										
.010uF	103																																										
.012	123																																										
.015	153																																										
.018	183																																										
.022	223																																										
.027	273																																										
.033	333																																										
.039	393																																										
.047	473																																										
.056	563																																										
.068	683																																										
.082	823																																										
.10	104																																										
.12	124																																										
.15	154																																										
.18	184																																										
.22	224																																										
.27	274																																										
.33	334																																										
.39	394																																										
.47	474																																										
.56	564																																										
.68	684																																										
.82	824																																										
1.0	105																																										
1.2	125																																										
1.5	155																																										
1.8	185																																										
2.2	225																																										



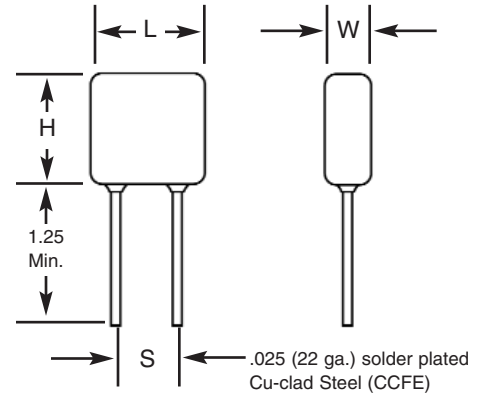
**X7R DIELECTRIC**

STYLE	X7R	HV30	HV31	HV33	HV34	HV35	HV36
W max		.450 (11.43)	.550 (13.97)	.850 (21.59)	1.050 (26.67)	1.250 (31.75)	1.450 (36.83)
L max		.220 (5.59)	.280 (7.11)	.400 (10.16)	.500 (12.70)	.600 (15.24)	.720 (18.29)
T max		.200 (5.08)	.250 (6.35)	.270 (6.89)	.270 (6.89)	.270 (6.89)	.270 (6.89)
S ±.030		.300 (7.62)	.400 (10.16)	.700 (17.78)	.975 (24.76)	1.175 (29.84)	1.375 (34.92)
Lead Dia. +.004/-0.002		.025 (.635)	.025 (.635)	.025 (.635)	.025 (.635)	.025 (.635)	.025 (.635)
Cap Code		WVDC	WVDC	WVDC	WVDC	WVDC	WVDC
Cap	pF	50 1k 2k 3k 4k 500 1k 2k 3k 4k 5k 500 1k 2k 3k 4k 5k 7k 500 1k 2k 3k 4k 5k 7k 10k 500 1k 2k 3k 4k 5k 7k 10k 500 1k 2k 3k 4k 5k 7.5k 10k					
150pF	151						
180	181						
220	221						
270	271						
330	331						
390	391						
470	471						
560	561						
680	681						
820	821						
1000	102						
1200	122						
1500	152						
1800	182						
2200	222						
2700	272						
3300	332						
3900	392						
4700	472						
5600	562						
6800	682						
8200	822						
.010uF	103						
.012	123						
.015	153						
.018	183						
.022	223						
.027	273						
.033	333						
.039	393						
.047	473						
.056	563						
.068	683						
.082	823						
.10	104						
.12	124						
.15	154						
.18	184						
.22	224						
.27	274						
.33	334						
.39	394						
.47	474						
.56	564						
.68	684						
.82	824						
1.0	105						
1.2	125						
1.5	155						
1.8	185						
2.2	225						
2.7	275						
3.3	335						
3.9	395						
4.7	475						
5.6	565						

## FEATURES

1. Electrical characteristics and environmental information on these parts may be obtained by referring to MIL-PRF-49467.
2. All parts are conformal coated multilayer ceramic.
3. Designed to provide excellent long-term reliability.
4. Parts are Group A screened per MIL-PRF-49467 which includes 100% Corona testing and meet all other specification requirements.
5. Designed for surface, sea and airborne military and commercial high-reliability applications.
6. No IR degradation over life.
7. BR (X7R) V/TC is -40% at rated voltage and BZ (X7R) V/TC is -40% at 60% rated voltage.
8. BX characteristic (-25%) on BR parts is approximately 52% rated voltage.
9. 100% Non-destructive test by means of CSAM inspection available. SLAM available by special order.

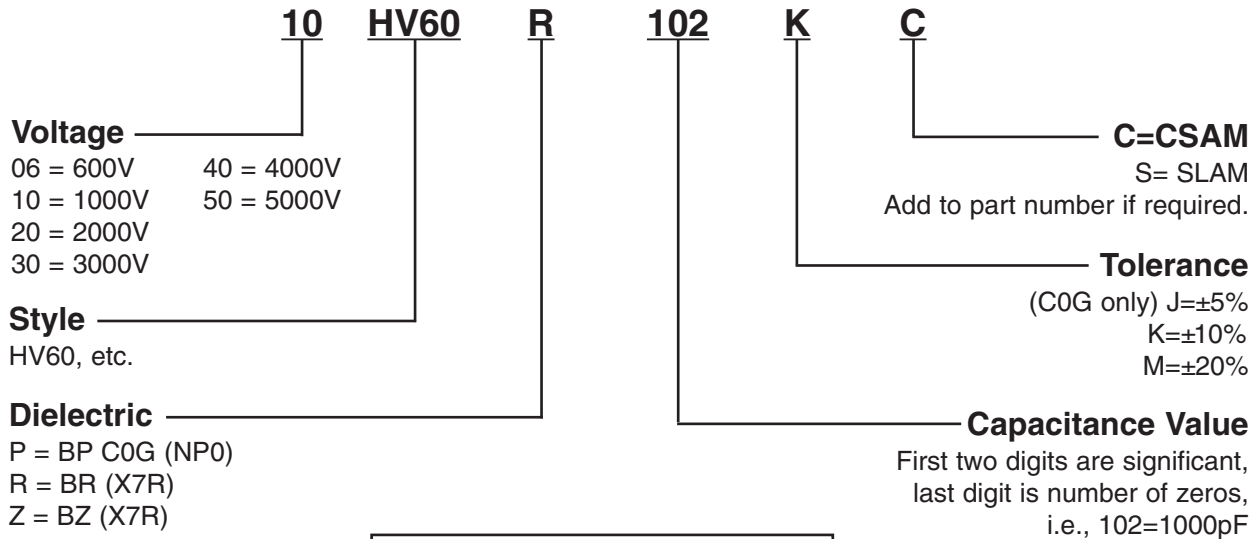
## CAPACITOR OUTLINE DRAWING



## DIMENSIONS

Style	Sizes in Inches (mm) max.			Lead Spacing ±0.030 (S)
	Length (L)	Height (H)	Thickness (W)	
HV60	.250 (6.35)	.220 (5.59)	.200 (5.08)	.170 (4.32)
HV61	.320 (8.13)	.280 (7.11)	.250 (6.35)	.220 (5.59)
HV62	.370 (9.40)	.300 (7.62)	.250 (6.35)	.275 (6.98)
HV63	.470 (11.94)	.400 (10.16)	.270 (6.86)	.375 (9.52)
HV64	.570 (14.48)	.500 (12.70)	.270 (6.86)	.475 (12.06)
HV65	.670 (17.02)	.600 (15.24)	.270 (6.86)	.575 (14.60)
HV66	.770 (19.56)	.720 (18.29)	.270 (6.86)	.675 (17.14)
HV68	1.300 (33.02)	.600 (15.24)	.270 (6.86)	1.175 (29.84)
HV69	1.500 (38.10)	.720 (18.29)	.270 (6.86)	1.375 (34.92)

## PART NUMBER AND ORDERING INFORMATION



## MARKING

(HV60, HV61)	(All Other Sizes)
102K	HV63R102K
1 kV	1 kV
KEC	KEC
Date Code	Date Code



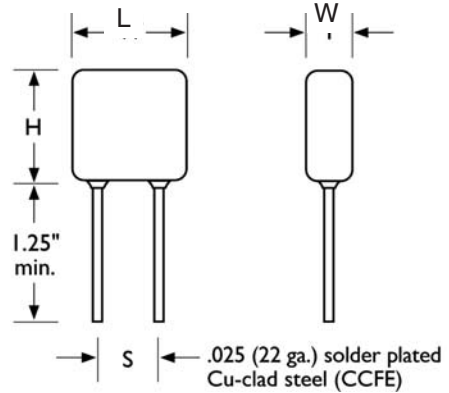
**X7R DIELECTRIC**

STYLE X7R	HV60			HV61			HV62			HV63				HV64				HV65			HV66				HV68			HV69												
	W max	L max	T max	S ± .030	Lead Dia. ±.004/-0.002	Cap Code	WVDC			WVDC			WVDC			WVDC			WVDC			WVDC			WVDC			WVDC												
Cap	600	1k	2k	600	1k	2k	3k	600	1k	2k	3k	600	1k	2k	3k	4k	600	1k	2k	3k	4k	5k	1k	2k	3k	4k	5k	1k	2k	3k	4k	5k	3k	4k	5k	3k	4k	5k		
270pF	271																																							
330	331																																							
390	391																																							
470	471																																							
560	561																																							
680	681																																							
820	821																																							
1000	102																																							
1200	122																																							
1500	152																																							
1800	182																																							
2200	222																																							
2700	272																																							
3300	332																																							
3900	392																																							
4700	472																																							
5600	562																																							
6800	682																																							
8200	822																																							
.010uF	103																																							
.012	123																																							
.015	153																																							
.018	183																																							
.022	223																																							
.027	273																																							
.033	333																																							
.039	393																																							
.047	473																																							
.056	563																																							
.068	683																																							
.082	823																																							
.10	104																																							
.12	124																																							
.15	154																																							
.18	184																																							
.22	224																																							
.27	274																																							
.33	334																																							
.39	394																																							
.47	474																																							

**FEATURES**

1. Similar to NASA Spec. SSQ 21113 (1, 2 & 5kV).
2. Conforms to MIL-PRF-49467. (Group A Screening, Subgroup 1)
3. 100% Corona tested.
4. No IR degradation over life.
5. High density, low DF ceramic.
6. Conservative and proven design is recommended for non-repairable applications such as spacecraft.
7. CSAM inspections are available and is recommended for space applications. SLAM available by special order.
8. Burn-in in a non-contaminating inert fluid available.

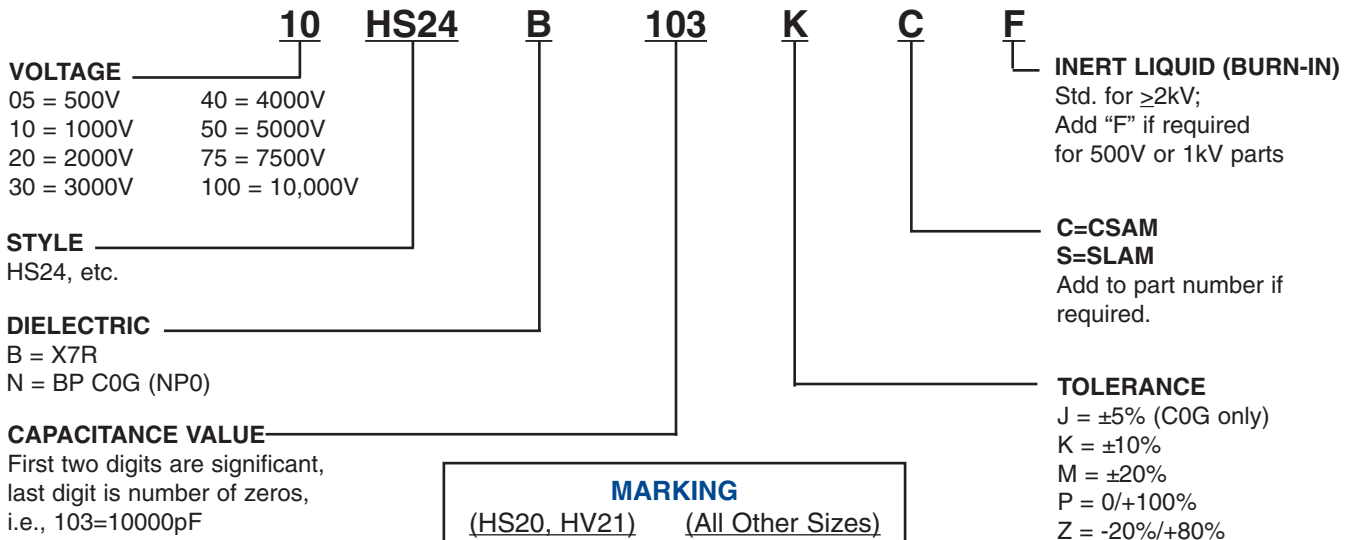
**CAPACITOR OUTLINE DRAWING**



**DIMENSIONS**

Style	Sizes in Inches (mm) max.			Lead Spacing ±0.030 (S)
	Length (L)	Height (H)	Thickness (W)	
HS20	.250 (6.35)	.220 (5.59)	.200 (5.08)	.170 (4.32)
HS21	.320 (8.13)	.280 (7.11)	.250 (6.35)	.220 (5.59)
HS22	.370 (9.40)	.300 (7.62)	.250 (6.35)	.275 (6.98)
HS30	.450 (11.43)	.220 (5.59)	.200 (5.08)	.300 (7.62)
HS23	.470 (11.94)	.400 (10.16)	.270 (6.89)	.375 (9.52)
HS31	.550 (13.97)	.280 (7.11)	.250 (6.35)	.400 (10.16)
HS24	.570 (14.48)	.500 (12.70)	.270 (6.89)	.475 (12.06)
HS25	.670 (17.02)	.600 (15.24)	.270 (6.89)	.575 (14.60)
HS26	.770 (19.56)	.720 (18.29)	.270 (6.89)	.675 (17.14)
HS33	.850 (21.59)	.400 (10.16)	.270 (6.89)	.700 (17.78)
HS34	1.050 (26.67)	.500 (12.70)	.270 (6.89)	.975 (24.76)
HS35	1.250 (31.75)	.600 (15.24)	.270 (6.89)	1.175 (29.84)
HS36	1.450 (36.83)	.720 (18.29)	.270 (6.89)	1.375 (34.92)

**PART NUMBER AND ORDERING INFORMATION**



<b>MARKING</b>	
(HS20, HV21)	(All Other Sizes)
103K	HS24B103K
1 kV	1 kV
KEC	KEC
Date Code	Date Code

**COG DIELECTRIC**

STYLE COG		HS20			HS21			HS22			HS23				HS24					HS25					HS26							
Cap	W max	.250 (6.35)			.320 (8.13)			.370(9.40)			.470 (11.94)				.570 (14.48)					.670 (17.02)					.770 (19.56)							
	L max	.220 (5.59)			.280 (7.11)			.300 (7.62)			.400 (10.16)				.500 (12.70)					.600 (15.24)					.720 (18.29)							
	T max	.200 (5.08)			.250 (6.35)			.250 (6.35)			.270 (6.86)				.270 (6.86)					.270 (6.86)					.270 (6.86)							
	S ± .030	.170 (4.32)			.220 (5.59)			.275 (6.98)			.375 (9.52)				.475 (12.06)					.575 (14.60)					.675 (17.14)							
	Lead Dia. +.004/-0.02	.025 (.635)			.025 (.635)			.025 (.635)			.025 (.635)				.025 (.635)					.025 (.635)					.025 (.635)							
Cap Code		WVDC			WVDC			WVDC			WVDC				WVDC					WVDC					WVDC							
pF		500	1k	2k	500	1k	2k	500	1k	2k	500	1k	2k	3k	500	1k	2k	3k	4k	5k	500	1k	2k	3k	4k	5k	500	1k	2k	3k	4k	5k
10pF	100																															
12	120																															
15	150																															
18	180																															
22	220																															
27	270																															
33	330																															
39	390																															
47	470																															
56	560																															
68	680																															
82	820																															
100	101																															
120	121																															
150	151																															
180	181																															
220	221																															
270	271																															
330	331																															
390	391																															
470	471																															
560	561																															
680	681																															
820	821																															
1000	102																															
1200	122																															
1500	152																															
1800	182																															
2200	222																															
2700	272																															
3300	332																															
3900	392																															
4700	472																															
5600	562																															
6800	682																															
8200	822																															
.010uF	103																															
.012	123																															
.015	153																															
.018	183																															
.022	223																															
.027	273																															
.033	333																															
.039	393																															
.047	473																															
.056	563																															
.068	683																															
.082	823																															
.10	104																															
.12	124																															
.15	154																															





**X7R DIELECTRIC**

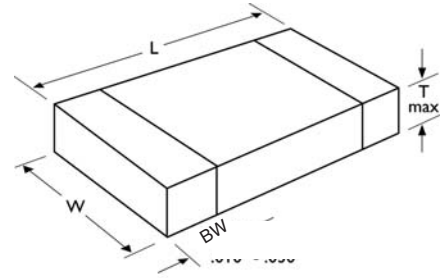
STYLE X7R		HS20			HS21			HS22			HS23				HS24					HS25					HS26						
Cap	W max	.250 (6.35)			.320 (8.13)			.370(9.40)			.470 (11.94)				.570 (14.48)					.670 (17.02)					.770 (19.56)						
	L max	.220 (5.59)			.280 (7.11)			.300 (7.62)			.400 (10.16)				.500 (12.70)					.600 (15.24)					.720 (18.29)						
	T max	.200 (5.08)			.250 (6.35)			.250 (6.35)			.270 (6.86)				.270 (6.86)					.270 (6.86)					.270 (6.86)						
	S ±.030	.170 (4.32)			.220 (5.59)			.275 (6.98)			.375 (9.52)				.475 (12.06)					.575 (14.60)					.675 (17.14)						
	Lead Dia. +.004/-.002	.025 (.635)			.025 (.635)			.025 (.635)			.025 (.635)				.025 (.635)					.025 (.635)					.025 (.635)						
	Cap Code	WVDC			WVDC			WVDC			WVDC				WVDC					WVDC					WVDC						
	pF	500	1k	2k	500	1k	2k	500	1k	2k	500	1k	2k	3k	500	1k	2k	3k	4k	500	1k	2k	3k	4k	5k	500	1k	2k	3k	4k	5k
270pF	271																														
330	331																														
390	391																														
470	471																														
560	561																														
680	681																														
820	821																														
1000	102																														
1200	122																														
1500	152																														
1800	182																														
2200	222																														
2700	272																														
3300	332																														
3900	392																														
4700	472																														
5600	562																														
6800	682																														
8200	822																														
.010uF	103																														
.012	123																														
.015	153																														
.018	183																														
.022	223																														
.027	273																														
.033	333																														
.039	393																														
.047	473																														
.056	563																														
.068	683																														
.082	823																														
.10	104																														
.12	124																														
.15	154																														
.18	184																														
.22	224																														
.27	274																														
.33	334																														
.39	394																														
.47	474																														
.56	564																														
.68	684																														
.82	824																														
1.0	105																														



## FEATURES

1. The ceramic chip capacitors described in this section are the types used in our other high voltage ceramic multilayer product lines.
2. Types BP, BR and BZ available as described in MIL-PRF-49467.
3. Group A and B screening per MIL-PRF-49467 available.
4. Ceramic chip capacitors are extremely sensitive to thermal shock damage during installation. Wherever possible, processes involving infrared or vapor phase soldering systems should be utilized.
5. Higher voltages available upon request
6. Where nickel barrier termination is required, end band length dimensions may exceed the standard dimension listed.

## CERAMIC CHIP OUTLINE DRAWING

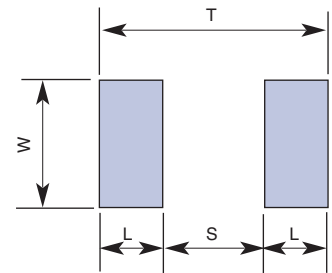


## DIMENSIONS

Style	Length (L) Inches (mm)	Width (W) Inches (mm)	Thickness (T) max Inches (mm)	Bandwidth (BW) Inches
1515	.150 ±.015 (3.81 ±.38)	.150 ±.015 (3.81 ±.38)	.140 (3.55)	.010 - .030"
1812	.180 ±.020 (4.57 ±.51)	.120 ±.015 (3.05 ±.38)	.100 (2.54)	.010 - .040"
1825	.180 ±.020 (4.57 ±.51)	.250 ±.020 (6.35 ±.51)	.160 (4.07)	.010 - .040"
2020	.200 ±.020 (5.08 ±.51)	.200 ±.020 (5.08 ±.51)	.180 (3.55)	.010 - .040"
2225	.220 ±.020 (5.59 ±.51)	.250 ±.020 (6.35 ±.51)	.200 (5.08)	.010 - .040"
2520	.250 ±.020 (6.35 ±.51)	.200 ±.020 (5.08 ±.51)	.180 (4.57)	.030 - .060"
3333	.330 ±.030 (8.38 ±.76)	.330 ±.030 (8.38 ±.76)	.220 (5.59)	.030 - .060"
3530	.350 ±.030 (8.89 ±.76)	.300 ±.030 (7.62 ±.76)	.220 (5.59)	.030 - .060"
4040	.400 ±.030 (10.2 ±.76)	.400 ±.030 (10.2 ±.76)	.220 (5.59)	.030 - .060"
4540	.450 ±.030 (11.43 ±.76)	.400 ±.030 (10.2 ±.76)	.220 (5.59)	.030 - .060"
5440	.540 ±.030 (13.7 ±.76)	.400 ±.030 (10.2 ±.76)	.220 (5.59)	.030 - .060"
5550	.550 ±.030 (14.0 ±.76)	.500 ±.030 (12.7 ±.76)	.220 (5.59)	.030 - .060"
6560	.650 ±.030 (16.5 ±.76)	.600 ±.030 (15.2 ±.76)	.220 (5.59)	.030 - .060"

## RECOMMENDED SOLDER PAD PATTERN DIMENSIONS

Chip Size	T (Total Length)		S (Separation)		W (Pad Width)		L (Pad Length)	
	mm	in.	mm	in.	mm	in.	mm	in.
1515	5.20	0.205	1.90	0.075	4.34	0.171	1.65	0.065
1812	5.90	0.232	2.30	0.091	3.70	0.146	1.80	0.071
1825	5.90	0.232	2.30	0.091	6.90	0.272	1.80	0.071
2020	6.50	0.256	2.80	0.110	5.62	0.221	1.85	0.073
2225	7.00	0.276	3.30	0.130	6.80	0.268	1.85	0.073
2520	8.68	0.342	4.98	0.196	5.62	0.221	1.85	0.073
3333	10.91	0.430	7.11	0.280	9.27	0.365	1.90	0.075
3530	11.51	0.453	7.61	0.300	8.51	0.335	1.95	0.077
4040	12.88	0.507	8.88	0.350	11.05	0.435	2.00	0.079
4540	14.21	0.559	10.15	0.400	11.05	0.435	2.03	0.080
5440	16.51	0.650	10.41	0.410	11.05	0.435	3.05	0.120
5550	18.92	0.745	12.82	0.505	13.59	0.535	3.05	0.120
6560	19.80	0.780	13.20	0.520	16.13	0.635	3.30	0.130



## PART NUMBER AND ORDERING INFORMATION

**4540 B 472 M 202 P M**

- Style**  
1515, 2020, etc.
- Dielectric**  
B or R = X7R  
N = C0G (NP0)
- Capacitance Value**  
First two digits are significant,  
last digit is number of zeros,  
i.e., 472=4700pF
- Tolerance**  
J = ±5% C0G (NP0)  
K = ±10%  
M = ±20%  
P = 0/+100%  
Z = -20%/+80%
- Group A Screening\***  
Add to part number if required  
\*MIL-PRF-49467  
(subgroup 1)  
except Corona
- Terminal Material**  
P = PdAg  
S = Ag  
E = Ag/Ni/Sn/Pb Plate  
C = Ag/Ni/Sn Plate
- Voltage**  
First two digits are significant,  
last digit is number of zeros,  
i.e., 202=2000V

**MARKING**  
Not applicable  
As required by customer only.



**COG DIELECTRIC**

STYLE	COG	4040					4540					5440					5550					6560						
		L					L					L					L					L						
	L	.400 ±.030(10,20±.76)					.450 ±.030(11,43±.76)					.540 ±.030(13,70±.76)					.550 ±.030(14,00±.76)					.650 ±.030(16,50±.76)						
	W	.400 ±.030(10,20±.76)					.400 ±.030(10,20±.76)					.400 ±.030(10,20±.76)					.500 ±.030(10,20±.76)					.600 ±.030(15,20±.76)						
	T max	.220 (5,59)					.220 (5,59)					.220 (5,59)					.220 (5,59)					.220 (5,59)						
	Band Width	.030 - .060"					.030 - .060"					.030 - .060"					.030 - .060"					.030 - .060"						
Cap	Cap Code pF	WVDC					WVDC					WVDC					WVDC					WVDC						
		500	1k	2k	3k	4k	500	1k	2k	3k	4k	5k	500	1k	2k	3k	4k	500	1k	2k	3k	4k	5k	500	1k	2k	3k	4k
10pF	100																											
12	120																											
15	150																											
18	180																											
22	220																											
27	270																											
33	330																											
39	390																											
47	470																											
56	560																											
68	680																											
82	820																											
100	101																											
120	121																											
150	151																											
180	181																											
220	221																											
270	271																											
330	331																											
390	391																											
470	471																											
560	561																											
680	681																											
820	821																											
1000	102																											
1200	122																											
1500	152																											
1800	182																											
2200	222																											
2700	272																											
3300	332																											
3900	392																											
4700	472																											
5600	562																											
6800	682																											
8200	822																											
.010uF	103																											
.012	123																											
.015	153																											
.018	183																											
.022	223																											
.027	273																											
.033	333																											
.039	393																											
.047	473																											
.056	563																											
.068	683																											
.082	823																											
.10	104																											



**X7R DIELECTRIC**

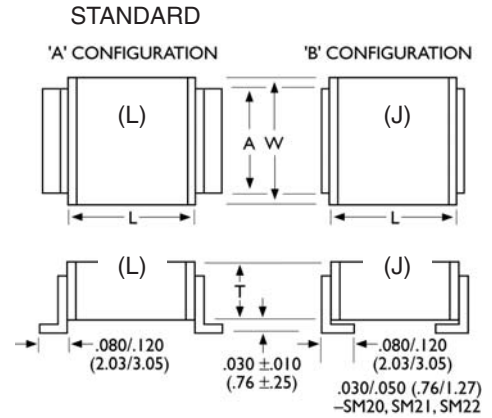
STYLE X7R		4040					4540					5440					5550					6560						
Cap	L	.400 ±.030(10,20±.76)					.450 ±.030(11,43±.76)					.540 ±.030(13,70±.76)					.550 ±.030(14,00±.76)					.650 ±.030(16,50±.76)						
	W	.400 ±.030(10,20±.76)					.400 ±.030(10,20±.76)					.400 ±.030(10,20±.76)					.500 ±.030(10,20±.76)					.600 ±.030(15,20±.76)						
	T max	.220 (5,59)					.220 (5,59)					.220 (5,59)					.220 (5,59)					.220 (5,59)						
	Band Width	.030 - .060*					.030 - .060*					.030 - .060*					.030 - .060*					.030 - .060*						
Cap Code	WVDC					WVDC					WVDC					WVDC					WVDC							
pF	500	1k	2k	3k	4k	500	1k	2k	3k	4k	5k	500	1k	2k	3k	4k	500	1k	2k	3k	4k	5k	500	1k	2k	3k	4k	5k
220pF	221																											
270	271																											
330	331																											
390	391																											
470	471																											
560	561																											
680	681																											
820	821																											
1000	102																											
1200	122																											
1500	152																											
1800	182																											
2200	222																											
2700	272																											
3300	332																											
3900	392																											
4700	472																											
5600	562																											
6800	682																											
8200	822																											
.010uF	103																											
.012	123																											
.015	153																											
.018	183																											
.022	223																											
.027	273																											
.033	333																											
.039	393																											
.047	473																											
.056	563																											
.068	683																											
.082	823																											
.10	104																											
.12	124																											
.15	154																											
.18	184																											
.22	224																											
.27	274																											
.33	334																											
.39	394																											
.47	474																											
.56	564																											
.68	684																											
.82	824																											
1.0	105																											
1.2	125																											
1.5	155																											
1.8	185																											
2.2	225																											



## FEATURES

1. Silver plated copper alloy terminal for easy soldering.
2. Mounting tabs are designed to minimize the effect of thermal stress introduced by the differences in coefficient of thermal expansion between the capacitor and the mounting surface.
3. Low ESR.
4. High current discharge capability.
5. Group A and B screening per MIL-PRF-49467 available .
6. Standard lead configuration is 'B'.(J) If lead configuration is left out of part number the lead style is assumed to be 'B'.

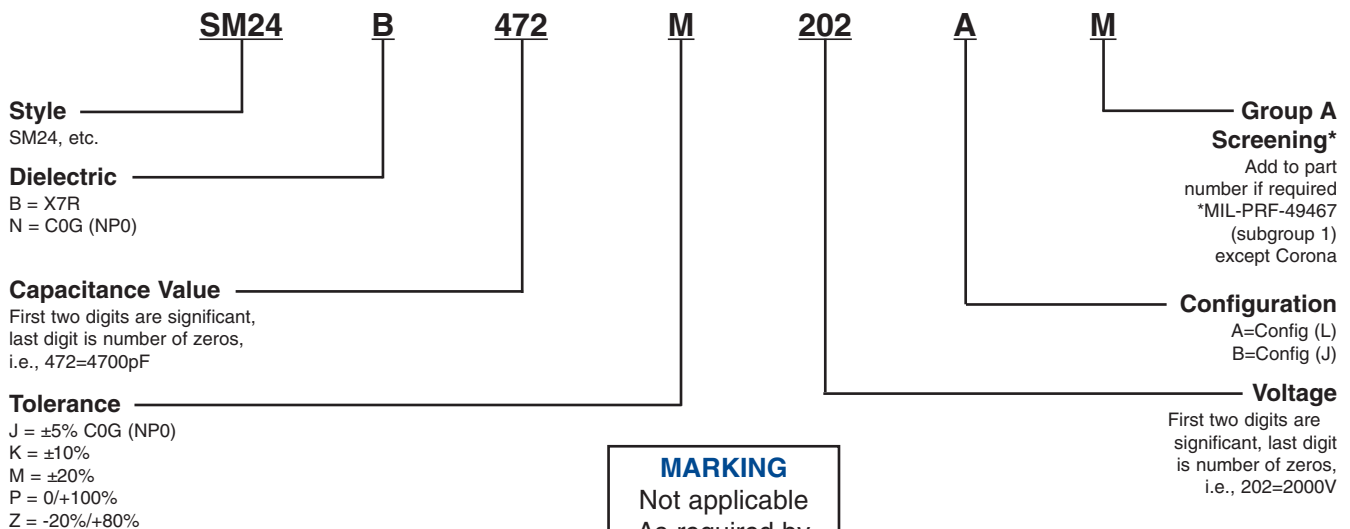
## CAPACITOR OUTLINE DRAWING



## DIMENSIONS

Style	Length (L) Inches (mm)	Width (W) Inches (mm)	Thickness (T) max Inches (mm)	Tab (A) max Inches (mm)
SM20	.150 $\pm$ .015 (3.81 $\pm$ .38)	.150 $\pm$ .015 (3.81 $\pm$ .38)	.130 (3.30)	.100 (2.54)
SM21	.200 $\pm$ .020 (5.08 $\pm$ .51)	.200 $\pm$ .020 (5.08 $\pm$ .51)	.180 (4.57)	.100 (2.54)
SM22	.250 $\pm$ .020 (6.35 $\pm$ .51)	.200 $\pm$ .020 (5.08 $\pm$ .51)	.180 (4.57)	.100 (2.54)
SM23	.350 $\pm$ .030 (8.89 $\pm$ .76)	.300 $\pm$ .030 (7.62 $\pm$ .76)	.220 (5.59)	.200 (5.08)
SM24	.450 $\pm$ .030 (11.43 $\pm$ .76)	.400 $\pm$ .030 (10.20 $\pm$ .76)	.220 (5.59)	.300 (7.62)
SM25	.550 $\pm$ .030 (14.00 $\pm$ .76)	.500 $\pm$ .030 (12.70 $\pm$ .76)	.220 (5.59)	.400 (10.2)
SM26	.650 $\pm$ .030 (16.50 $\pm$ .76)	.600 $\pm$ .030 (15.20 $\pm$ .76)	.220 (5.59)	.500 (12.7)
SM30	.300 $\pm$ .030 (7.62 $\pm$ .76)	.150 $\pm$ .015 (3.81 $\pm$ .38)	.140 (3.55)	.100 (2.54)
SM31	.400 $\pm$ .030 (10.20 $\pm$ .76)	.200 $\pm$ .020 (5.08 $\pm$ .51)	.130 (3.30)	.100 (2.54)
SM33	.700 $\pm$ .030 (17.08 $\pm$ .76)	.300 $\pm$ .030 (7.62 $\pm$ .76)	.180 (4.57)	.200 (5.08)
SM34	.900 $\pm$ .030 (22.90 $\pm$ .76)	.400 $\pm$ .030 (10.20 $\pm$ .76)	.220 (5.59)	.300 (7.62)
SM35	1.100 $\pm$ .030 (27.90 $\pm$ .76)	.500 $\pm$ .030 (12.70 $\pm$ .76)	.220 (5.59)	.400 (10.2)
SM36	1.350 $\pm$ .030 (33.00 $\pm$ .76)	.600 $\pm$ .030 (15.20 $\pm$ .76)	.220 (5.59)	.500 (12.7)

## PART NUMBER AND ORDERING INFORMATION



**MARKING**  
Not applicable  
As required by customer only.









单击下面可查看定价，库存，交付和生命周期等信息

[>>KEMET Electronics\(基美\)](#)