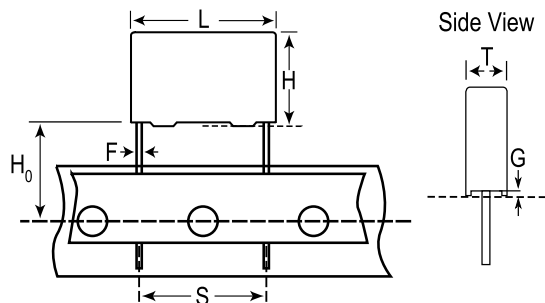


KEMET Part Number: PFR5331H63J11L16.5TA18
(F411JH331H063R)

PFR/F411, Film, Film/Foil Polypropylene, 330 pF, 2.5%, 63 VDC, 85°C, Lead Spacing = 5mm



| General Information | |
|-----------------------|---|
| Series: | PFR/F411 |
| Dielectric: | Film/Foil Polypropylene |
| Style: | Radial |
| Features: | Pulse |
| RoHS: | Yes |
| Lead: | Wire Leads |
| Miscellaneous: | An Operating Temperature Up To +105C Is Allowed Under Certain Conditions. Please Consult KEMET For Details. |

| Dimensions | |
|------------|-----------------|
| L | 7.2mm MAX |
| H | 6mm MAX |
| T | 4.5mm MAX |
| S | 5mm +0.6/-0.1mm |
| H0 | 18.5mm +/-0.5mm |
| F | 0.5mm +/-0.05mm |
| G | 0.5mm NOM |

| Specifications | |
|-------------------------------|---------------------------------------|
| Capacitance: | 330 pF |
| Capacitance Tolerance: | 2.5% |
| Voltage AC: | 40 VAC |
| Voltage DC: | 63 VDC |
| Temperature Range: | -55/+100C |
| Rated Temperature: | 85°C |
| Dissipation Factor: | 0.04% 1kHz, 0.04% 10kHz, 0.05% 100kHz |
| Insulation Resistance: | 90909.0909 GOhms |
| Max dV/dt: | 1000 V/us |
| Inductance: | 6 nH |

| Packaging Specifications | |
|----------------------------|-------------------------|
| Packaging: | Ammo, 330x330x50mm, Box |
| Packaging Quantity: | 1700 |

Statements of suitability for certain applications are based on our knowledge of typical operating conditions for such applications, but are not intended to constitute - and we specifically disclaim - any warranty concerning suitability for a specific customer application or use. This Information is intended for use only by customers who have the requisite experience and capability to determine the correct products for their application. Any technical advice inferred from this Information or otherwise provided by us with reference to the use of our products is given gratis, and we assume no obligation or liability for the advice given or results obtained.

单击下面可查看定价，库存，交付和生命周期等信息

[>>KEMET Electronics\(基美\)](#)