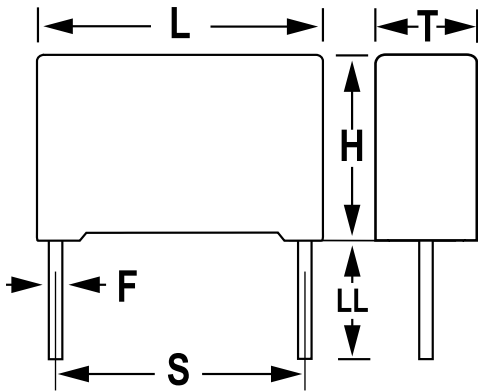


R75, Film, Metallized Polypropylene, General Purpose, 0.33 uF, 5%, 1250 VDC, 85°C, Lead Spacing = 27.5mm



Dimensions

L	32mm +0.3mm
H	25mm +0.1mm
T	13mm +0.2mm
S	27.5mm +/-0.4mm
LL	4mm +2mm
F	0.8mm +/-0.05mm

Packaging Specifications

Packaging:	Tray
Packaging Quantity:	480

General Information

Series:	R75
Dielectric:	Metallized Polypropylene
Style:	Radial
Features:	Pulse
RoHS:	Yes
Lead:	Cut
Miscellaneous:	Above 85C DC And AC Voltage Derating Is 1.25%/C

Specifications

Capacitance:	0.33 uF
Capacitance Tolerance:	5%
Voltage AC:	600 VAC
Voltage DC:	1250 VDC
Temperature Range:	-55/+105C
Rated Temperature:	85°C
Dissipation Factor:	0.05% 1kHz, 0.08% 10kHz
Insulation Resistance:	100 GOhms
Max dV/dt:	500 V/us
Inductance:	18 nH

单击下面可查看定价，库存，交付和生命周期等信息

[>>KEMET Electronics\(基美\)](#)