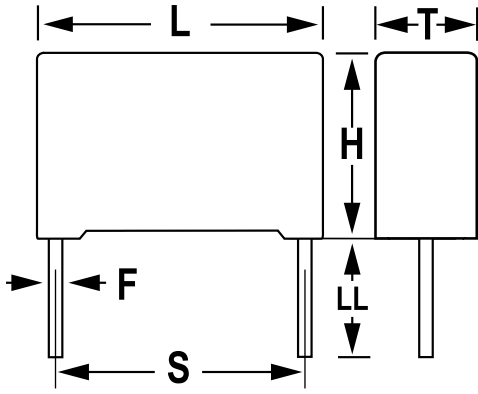


R75, Film, Metallized Polypropylene, General Purpose, 5.6 uF, 10%, 630 VDC, 85°C, Lead Spacing = 37.5mm



Dimensions

L	41.5mm +0.3mm
H	40mm +0.1mm
T	20mm +0.3mm
S	37.5mm +/-0.4mm
LL	30mm +5mm
F	1mm +/-0.05mm

Packaging Specifications

Packaging:	Tray
Packaging Quantity:	84

General Information

Series:	R75
Dielectric:	Metallized Polypropylene
Style:	Radial
Features:	Pulse
RoHS:	Yes
Lead:	Wire Leads
Miscellaneous:	Above 85C DC And AC Voltage Derating Is 1.25%/C

Specifications

Capacitance:	5.6 uF
Capacitance Tolerance:	10%
Voltage AC:	250 VAC
Voltage DC:	630 VDC
Temperature Range:	-55/+105C
Rated Temperature:	85°C
Dissipation Factor:	0.10% 1kHz
Insulation Resistance:	5.3571 GOhms
Max dV/dt:	90 V/us
Inductance:	20 nH

Statements of suitability for certain applications are based on our knowledge of typical operating conditions for such applications, but are not intended to constitute - and we specifically disclaim - any warranty concerning suitability for a specific customer application or use. This Information is intended for use only by customers who have the requisite experience and capability to determine the correct products for their application. Any technical advice inferred from this Information or otherwise provided by us with reference to the use of our products is given gratis, and we assume no obligation or liability for the advice given or results obtained.

单击下面可查看定价，库存，交付和生命周期等信息

[>>KEMET Electronics\(基美\)](#)