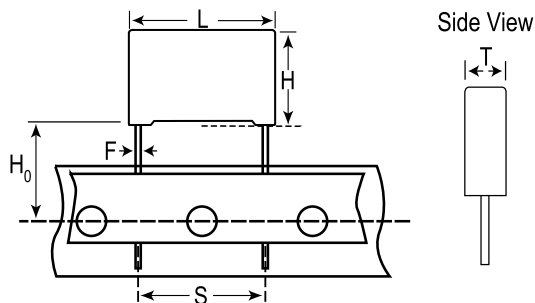


**KEMET Part Number: PHE840MK5470MK04R17T0**  
(F840KM473M275L)

PHE840M/F840, Film, Metallized Polypropylene, Safety, 0.047 uF, 20%, 275 VAC (X2), 760 VDC, 105°C, Lead Spacing = 7.5mm



General Information	
Series:	PHE840M/F840
Dielectric:	Metallized Polypropylene
Style:	Radial
Features:	EMI Safety
RoHS:	Yes
Lead:	Wire Leads
Qualifications:	ENEC, UL, cUL
Notes:	Not For New Design, Please Check Possible Alternative Parts (AltPart)

Dimensions	
L	10mm MAX
H	12mm MAX
T	6mm MAX
S	7.5mm +0.6/-0.1mm
H0	17mm NOM
F	0.6mm NOM

Specifications	
Capacitance:	0.047 uF
Capacitance Tolerance:	20%
Voltage AC:	275 VAC (X2)
Voltage DC:	760 VDC
Temperature Range:	-55/+105C
Rated Temperature:	105°C
Dissipation Factor:	0.10% 1kHz, 0.20% 10kHz, 0.60% 100kHz
Insulation Resistance:	30 GOhms
Max dV/dt:	100 V/us
Safety Class:	X2

Packaging Specifications	
Packaging:	T&R
Packaging Quantity:	1000

Statements of suitability for certain applications are based on our knowledge of typical operating conditions for such applications, but are not intended to constitute - and we specifically disclaim - any warranty concerning suitability for a specific customer application or use. This Information is intended for use only by customers who have the requisite experience and capability to determine the correct products for their application. Any technical advice inferred from this Information or otherwise provided by us with reference to the use of our products is given gratis, and we assume no obligation or liability for the advice given or results obtained.

单击下面可查看定价，库存，交付和生命周期等信息

[>>KEMET Electronics\(基美\)](#)