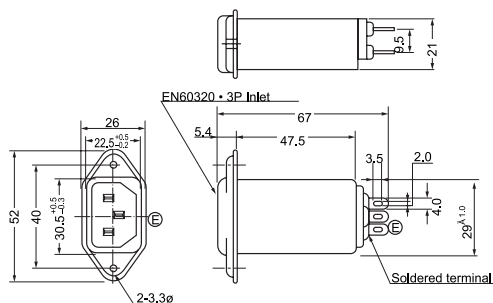


KEMET, GL-C, EMI/RFI Filters, Noise Suppression, 250 VAC, 250 V, 3 A



Dimensions	
L	67mm NOM
W	52mm NOM
H	26mm NOM

Packaging Specifications	
Weight:	55 g

General Information	
Series:	GL-C
Style:	Inlet
Description:	Noise Filters
Features:	Inlet Type
RoHS:	Yes
Qualifications:	UL
Miscellaneous:	30 K Self-Temperature Rise Max

Specifications	
Voltage AC:	250 VAC
Ripple Current:	3 A (AC/DC)
Temperature Range:	-25/+55C
Voltage:	250 VDC, 1500 VAC Withstanding Voltage 1 Min. Line to Ground
Leakage Current:	5 uA MAX (250 V 60 Hz)
Resistance:	300 MOhms MIN Insulation 500 VDC 1 Min. Line To Ground

单击下面可查看定价，库存，交付和生命周期等信息

[>>KEMET Electronics\(基美\)](#)