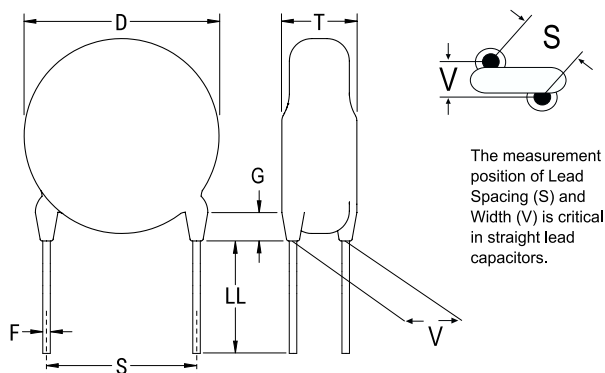


KEMET Part Number: ERK610Z221MCF0
(C811CF221M440A, ERK610RK3220MCF0)

ERK610 SFTY X1-440 Y2-300, Ceramic, 220 pF, 20%, 440 VAC (X1), 300 VAC (Y2), Y5T, Lead Spacing = 7.5mm



Dimensions

| | |
|-----------|-----------------|
| D | 8mm MAX |
| T | 6mm MAX |
| S | 7.5mm NOM |
| LL | 30mm -3mm |
| F | 0.6mm +/-0.05mm |
| G | 3mm MAX |
| V | 1.9mm +/-0.5mm |

Packaging Specifications

| | |
|-------------------|-----------|
| Packaging: | Bulk, Bag |
|-------------------|-----------|

General Information

| | |
|------------------------|---|
| Series: | ERK610 SFTY X1-440 Y2-300 |
| Style: | Radial Disc |
| Description: | Ceramic Single Layer Safety Disc Capacitors |
| RoHS: | Yes |
| Termination: | Tin |
| Qualifications: | UL, CSA, CAN, ENEC, VDE |

Specifications

| | |
|---------------------------------|----------------------------|
| Capacitance: | 220 pF |
| Capacitance Tolerance: | 20% |
| Voltage AC: | 440 VAC (X1), 300 VAC (Y2) |
| Temperature Range: | -40/+125°C |
| Temperature Coefficient: | Y5T |
| Dissipation Factor: | 2.50% |
| Insulation Resistance: | 6 GOhms |
| Safety Class: | X1/Y2 |

单击下面可查看定价，库存，交付和生命周期等信息

[>>KEMET Electronics\(基美\)](#)