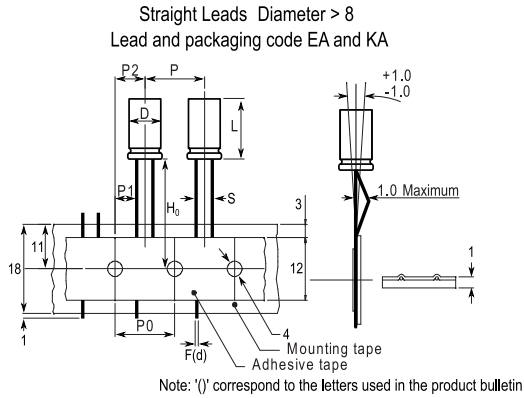


ESG, Aluminum Electrolytic, 22 uF, 20%, 400 VDC, -40/+105°C, Lead Spacing = 7.5mm



General Information	
Series:	ESG
Dielectric:	Aluminum Electrolytic
Description:	Long Life Single Ended Aluminum Electrolytic
Features:	Long Life
RoHS:	Yes
Lead:	Wire Leads
AEC-Q200:	No
Notes:	P/P0 = 30mm, P1 = 3.75mm, P2 = 7.5mm

Dimensions	
D	16mm +/-0.5mm
L	20mm +2mm
S	7.5mm +/-0.5mm
H0	18.5mm +/-0.75mm
F	0.8mm NOM

Packaging Specifications	
Packaging:	Ammo
Packaging Quantity:	300

Specifications	
Capacitance:	22 uF
Capacitance Tolerance:	20%
Voltage DC:	400 VDC, 450 VDC (Surge)
Temperature Range:	-40/+105°C
Rated Temperature:	105°C
Life:	5000 Hrs
Dissipation Factor:	24.00% 120Hz 20c
Ripple Current:	200 mAmps (120Hz 105C)
Leakage Current:	538 uA (2min 20°C)
Impedance Ratio at -25C:	5
Impedance Ratio at -40C:	6

单击下面可查看定价，库存，交付和生命周期等信息

[>>KEMET Electronics\(基美\)](#)