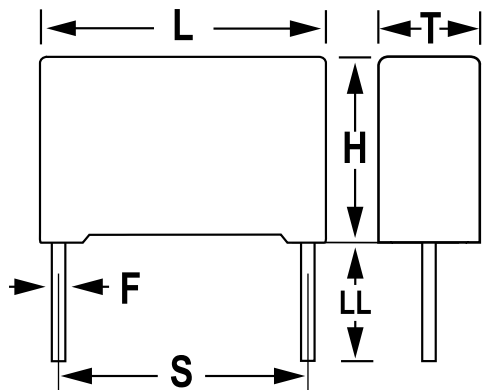


KEMET Part Number: MMK22.5105K250D13L3BTRAY
(F601DD105K250CL30B, MMK22,5105K250D13L3BTRAY)

MMK/F601, Film, Metallized Polyester, General Purpose, 1 uF, 10%, 250 VDC, 85°C, Lead Spacing = 22.5mm



Dimensions

L	26mm MAX
H	14.5mm MAX
T	6.5mm MAX
S	22.5mm +/-0.4mm
LL	3mm NOM
F	0.8mm NOM

Packaging Specifications

Packaging:	Bulk, Tray
-------------------	------------

General Information

Series:	MMK/F601
Dielectric:	Metallized Polyester
Style:	Radial
Features:	DC Multipurpose Applications
RoHS:	Yes
Lead:	Wire Leads
Notes:	Not For New Design, Please Check Possible Alternative Parts (AltPart)

Specifications

Capacitance:	1 uF
Capacitance Tolerance:	10%
Voltage AC:	160 VAC
Voltage DC:	250 VDC, 193.8 VDC (100C)
Temperature Range:	-55/+100C
Rated Temperature:	85°C
Insulation Resistance:	10 GOhms
Max dV/dt:	8 V/us

单击下面可查看定价，库存，交付和生命周期等信息

[>>KEMET Electronics\(基美\)](#)