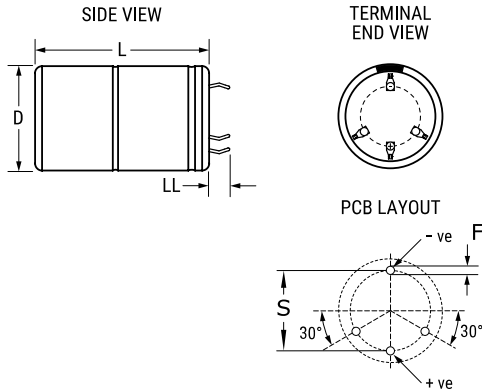


KEMET Part Number: ALA8DE241DC500
(A543EE241M500E)

ALA8D, Aluminum Electrolytic, 240 uF, 20%, 500 VDC, -40/+105°C



| Dimensions | |
|------------|-----------------|
| D | 35mm +1mm |
| L | 35mm +/-2mm |
| S | 22.5mm +/-0.1mm |
| LL | 4mm +/-1mm |
| F | 2mm +/-0.1mm |

| Packaging Specifications | |
|--------------------------|-----------|
| Weight: | 60 g |
| Packaging: | Bulk, Bag |
| Packaging Quantity: | 100 |

| General Information | |
|---------------------|---|
| Series: | ALA8D |
| Dielectric: | Aluminum Electrolytic |
| Description: | Snap-In, Aluminum Electrolytic |
| RoHS: | Yes |
| Lead: | 4 Pin |
| Qualifications: | AEC-Q200 |
| AEC-Q200: | Yes |
| Miscellaneous: | Vibration: <= 35mm 1.5mm displacement amplitude or 20G maximum acceleration. Vibration applied for three directions of 4-hour sessions at 10 – 2,000 Hz. (Capacitor clamped by body.) |
| Shelf Life: | 156 Weeks |

| Specifications | |
|------------------------|--|
| Capacitance: | 240 uF |
| Capacitance Tolerance: | 20% |
| Voltage DC: | 500 VDC, 550 VDC (Surge) |
| Temperature Range: | -40/+105°C |
| Rated Temperature: | 105°C |
| Life: | 8000 Hrs (Rated Voltage And Ripple Current At 105C), 13000 Hrs (Rated Voltage At 105C) |
| Resistance: | 863.2 mOhms (100Hz 20C), 637 mOhms (10kHz 20C) |
| Ripple Current: | 1.83 Amps (100Hz 105C), 4.25 Amps (10kHz 105C) |
| Leakage Current: | 360 uA (5min 20°C) |

单击下面可查看定价，库存，交付和生命周期等信息

[>>KEMET Electronics\(基美\)](#)