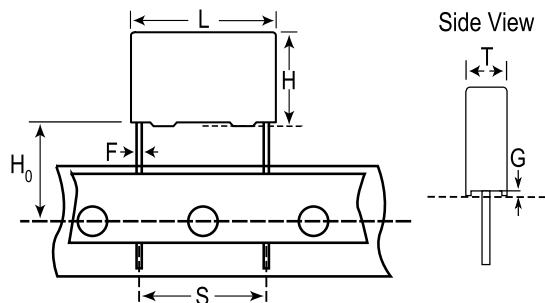


**KEMET Part Number: PFR5681H1000J12L16.5TR18**  
(F411JK681H1K0L)

PFR/F411, Film, Film/Foil Polypropylene, 680 pF, 2.5%, 1000 VDC, 85°C, Lead Spacing = 5mm



General Information	
<b>Series:</b>	PFR/F411
<b>Dielectric:</b>	Film/Foil Polypropylene
<b>Style:</b>	Radial
<b>Features:</b>	Pulse
<b>RoHS:</b>	Yes
<b>Lead:</b>	Wire Leads
<b>Miscellaneous:</b>	An Operating Temperature Up To +105C Is Allowed Under Certain Conditions. Please Consult KEMET For Details.

Dimensions	
<b>L</b>	7.2mm MAX
<b>H</b>	7mm MAX
<b>T</b>	5.5mm MAX
<b>S</b>	5mm +0.6/-0.1mm
<b>H0</b>	18.5mm +/-0.5mm
<b>F</b>	0.5mm +/-0.05mm
<b>G</b>	0.5mm NOM

Specifications	
<b>Capacitance:</b>	680 pF
<b>Capacitance Tolerance:</b>	2.5%
<b>Voltage AC:</b>	250 VAC
<b>Voltage DC:</b>	1000 VDC
<b>Temperature Range:</b>	-55/+100C
<b>Rated Temperature:</b>	85°C
<b>Dissipation Factor:</b>	0.04% 1kHz, 0.04% 10kHz, 0.05% 100kHz
<b>Insulation Resistance:</b>	44117.6471 GOhms
<b>Max dV/dt:</b>	1000 V/us
<b>Inductance:</b>	6 nH

Packaging Specifications	
<b>Packaging:</b>	T&R
<b>Packaging Quantity:</b>	1200

单击下面可查看定价，库存，交付和生命周期等信息

[>>KEMET Electronics\(基美\)](#)