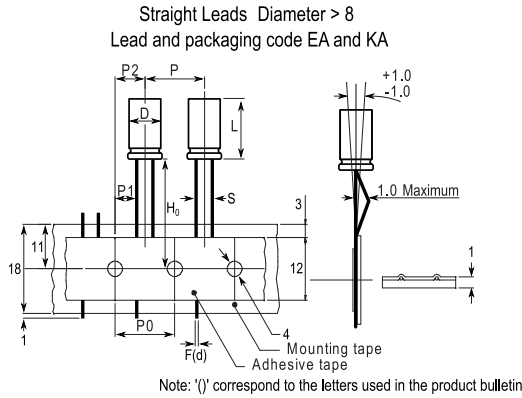


ESL, Aluminum Electrolytic, 22 uF, 20%, 450 VDC, -40/+105°C, Lead Spacing = 7.5mm



Dimensions

| | |
|-----------|------------------|
| D | 16mm +/-0.5mm |
| L | 20mm +2.0mm |
| S | 7.5mm +/-0.5mm |
| H0 | 18.5mm +/-0.75mm |
| F | 0.8mm NOM |

Packaging Specifications

| | |
|----------------------------|------|
| Packaging: | Ammo |
| Packaging Quantity: | 300 |

General Information

| | |
|---------------------|------------------------------------|
| Series: | ESL |
| Dielectric: | Aluminum Electrolytic |
| Description: | Single Ended Aluminum Electrolytic |
| RoHS: | Yes |
| Lead: | Wire Leads |
| AEC-Q200: | No |

Specifications

| | |
|---------------------------------|--------------------------|
| Capacitance: | 22 uF |
| Capacitance Tolerance: | 20% |
| Voltage DC: | 450 VDC, 500 VDC (Surge) |
| Temperature Range: | -40/+105°C |
| Rated Temperature: | 105°C |
| Life: | 10000 Hrs |
| Dissipation Factor: | 20.00% |
| Resistance: | 2.02 Ohms (100kHz 20C) |
| Ripple Current: | 550 mAmps (100kHz 105C) |
| Leakage Current: | 208 uA (2min 20°C) |
| Impedance Ratio at -40C: | 9 |

Statements of suitability for certain applications are based on our knowledge of typical operating conditions for such applications, but are not intended to constitute - and we specifically disclaim - any warranty concerning suitability for a specific customer application or use. This Information is intended for use only by customers who have the requisite experience and capability to determine the correct products for their application. Any technical advice inferred from this Information or otherwise provided by us with reference to the use of our products is given gratis, and we assume no obligation or liability for the advice given or results obtained.

单击下面可查看定价，库存，交付和生命周期等信息

[>>KEMET Electronics\(基美\)](#)