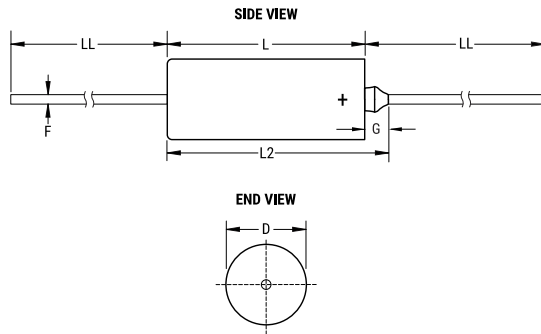


T252_CSR33, Tantalum, MnO2 Tantalum, Military/High Reliability, 100 uF, 20%, 20 VDC, 600 mOhms



Dimensions	
D	7.34mm +/-0.25mm
L	17.42mm +/-0.79mm
L2	20.88mm
LL	38.1mm +/-6.35mm
F	0.64mm +/-0.05mm
G	3.46mm +0.79mm

Packaging Specifications	
Packaging:	T&R, 305mm, Class III, B = 73mm
Packaging Quantity:	500

General Information	
Series:	T252_CSR33
Dielectric:	MnO2 Tantalum
Style:	Axial Hermetic
Description:	Axial, Solid Tantalum, Hermetically Sealed, Military, CSR33 Style
Features:	Extended Capacitance, Low Leakage
RoHS:	No
Prop 65:	⚠ WARNING: Cancer and reproductive harm - www.p65warnings.ca.gov .
REACH:	SVHC (Pb – CAS 7439-92-1)
Termination:	Lead (SnPb)
Lead:	Wire Leads
Qualifications:	MIL-PRF-39003, CSR33
AEC-Q200:	No
Construction:	Hermetic
Notes:	Dimensions Include Insulating Sleeve. Lead Length Shown Is For Parts Supplied With Bulk Packaging, When Supplied On T&R Or Ammo, Lead Length Is Determined By Taping Specification

Specifications	
Capacitance:	100 uF
Capacitance Tolerance:	20%
Voltage DC:	20 VDC (85C), 16 VDC (125C Surge), 0.2 VDC (125C Reverse)
Temperature Range:	-55/+125°C
Failure Rate:	B (0.1%/1000 Hrs)
Resistance:	0.6 Ohms (100kHz)
Ripple Current:	456 mAmps (100kHz)
Leakage Current:	1 uA
Testing and Reliability:	Standard Testing To MIL-PRF-39003

单击下面可查看定价，库存，交付和生命周期等信息

[>>KEMET Electronics\(基美\)](#)