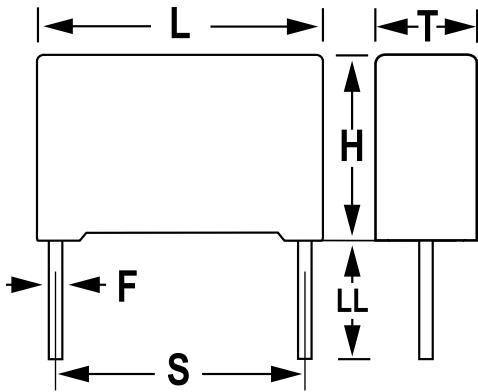


**KEMET Part Number: MMK10223K1000A04L3CBULK**  
(F601AP223K1K0CL36C)

MMK/F601, Film, Metallized Polyester, General Purpose, 0.022 uF, 10%, 1000 VDC, 85°C, Lead Spacing = 10mm



**Dimensions**

L	13mm MAX
H	12mm MAX
T	6mm MAX
S	10mm +/-0.4mm
LL	3.6mm NOM
F	0.6mm NOM

**Packaging Specifications**

<b>Packaging:</b>	Bulk, Bag
-------------------	-----------

**General Information**

<b>Series:</b>	MMK/F601
<b>Dielectric:</b>	Metallized Polyester
<b>Style:</b>	Radial
<b>Features:</b>	DC Multipurpose Applications
<b>RoHS:</b>	Yes
<b>Lead:</b>	Wire Leads
<b>Notes:</b>	Not For New Design, Please Check Possible Alternative Parts (AltPart)

**Specifications**

<b>Capacitance:</b>	0.022 uF
<b>Capacitance Tolerance:</b>	10%
<b>Voltage AC:</b>	250 VAC
<b>Voltage DC:</b>	1000 VDC, 775 VDC (100C)
<b>Temperature Range:</b>	-55/+100C
<b>Rated Temperature:</b>	85°C
<b>Insulation Resistance:</b>	30 GOhms
<b>Max dV/dt:</b>	60 V/us

单击下面可查看定价，库存，交付和生命周期等信息

[>>KEMET Electronics\(基美\)](#)