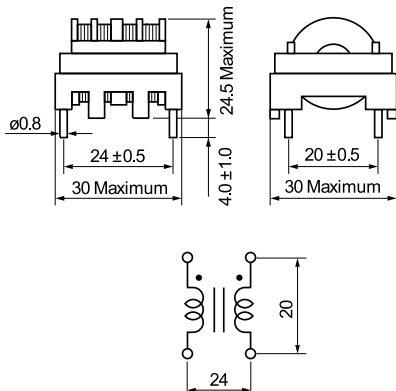


**KEMET Part Number: SS28H-R10450-CH** **Not for New Design**  
(UAL28HR10450CH)

KEMET, SS28V/H-CH, AC Line Filters, Common Mode, 0.045 H



#### Dimensions

|           |               |
|-----------|---------------|
| <b>L</b>  | 30mm MAX      |
| <b>T</b>  | 30mm MAX      |
| <b>H</b>  | 24.5mm MAX    |
| <b>LL</b> | 4mm +/-1mm    |
| <b>S</b>  | 24mm +/-0.5mm |

#### Packaging Specifications

|                |      |
|----------------|------|
| <b>Weight:</b> | 31 g |
|----------------|------|

#### General Information

|                       |  |
|-----------------------|--|
| <b>Series:</b>        | SS28V/H-CH   |
| <b>Style:</b>         | Through-Hole                                       |
| <b>RoHS:</b>          | Yes  |
| <b>Miscellaneous:</b> | Inductance Measurement<br>Condition: 1kHz 1V KC530 |

#### Specifications

|                           |            |
|---------------------------|------------|
| <b>Voltage AC:</b>        | 250 VAC    |
| <b>Inductance:</b>        | 45 mH      |
| <b>Current:</b>           | 1 A        |
| <b>Temperature Range:</b> | -25/+120°C |
| <b>DC Resistance:</b>     | 650 mOhms  |

单击下面可查看定价，库存，交付和生命周期等信息

[>>KEMET Electronics\(基美\)](#)