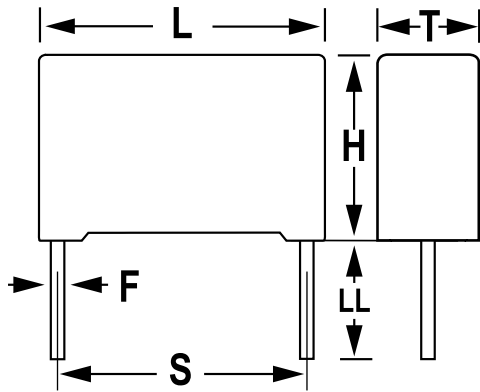


KEMET Part Number: MMK15225K63B06L6ABULK
(F601BL225K063CL60A)

MMK/F601, Film, Metallized Polyester, General Purpose, 2.2 uF, 10%, 63 VDC, 85°C, Lead Spacing = 15mm



Dimensions

L	18mm MAX
H	14.5mm MAX
T	7.5mm MAX
S	15mm +/-0.4mm
LL	6mm NOM
F	0.8mm NOM

Packaging Specifications

Packaging:	Bulk, Bag
-------------------	-----------

General Information

Series:	MMK/F601
Dielectric:	Metallized Polyester
Style:	Radial
Features:	DC Multipurpose Applications
RoHS:	Yes
Lead:	Wire Leads
Notes:	Not For New Design, Please Check Possible Alternative Parts (AltPart)

Specifications

Capacitance:	2.2 uF
Capacitance Tolerance:	10%
Voltage AC:	40 VAC
Voltage DC:	63 VDC, 48.8 VDC (100C)
Temperature Range:	-55/+100C
Rated Temperature:	85°C
Insulation Resistance:	2.2727 GOhms
Max dV/dt:	5 V/us

单击下面可查看定价，库存，交付和生命周期等信息

[>>KEMET\(基美\)](#)