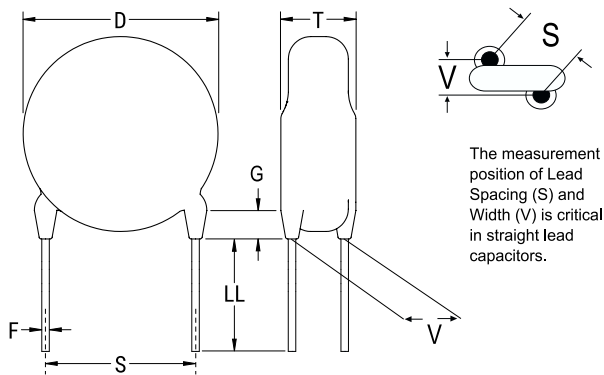


**KEMET Part Number: ERK610Z472KCRT**  
(C817CR472K440H, ERK610RK4470KCRT)

ERK610 SFTY X1-440 Y2-300, Ceramic, 4700 pF, 10%, 440 VAC (X1), 300 VAC (Y2), Y5U, Lead Spacing = 7.5mm



General Information	
<b>Series:</b>	ERK610 SFTY X1-440 Y2-300
<b>Style:</b>	Radial Disc
<b>Description:</b>	Ceramic Single Layer Safety Disc Capacitors
<b>RoHS:</b>	Yes
<b>Termination:</b>	Tin
<b>Qualifications:</b>	UL, CSA, CAN, ENEC, VDE
<b>Notes:</b>	Please See Bulletin For Taping Information. H Dimension Refers to Seating Plane To Center Hole of Tape

Dimensions	
<b>D</b>	13.5mm MAX
<b>H</b>	16.5mm +/-0.5mm
<b>T</b>	4.5mm MAX
<b>S</b>	7.5mm +/-0.8mm
<b>F</b>	0.6mm +/-0.05mm
<b>G</b>	3mm MAX
<b>V</b>	1.6mm +/-0.5mm

Specifications	
<b>Capacitance:</b>	4700 pF
<b>Capacitance Tolerance:</b>	10%
<b>Voltage AC:</b>	440 VAC (X1), 300 VAC (Y2)
<b>Temperature Range:</b>	-40/+125°C
<b>Temperature Coefficient:</b>	Y5U
<b>Dissipation Factor:</b>	2.50%
<b>Insulation Resistance:</b>	6 GOhms
<b>Safety Class:</b>	X1/Y2

Packaging Specifications	
<b>Packaging:</b>	T&R, H = 16.5mm, Component Pitch = 25.4mm

Statements of suitability for certain applications are based on our knowledge of typical operating conditions for such applications, but are not intended to constitute - and we specifically disclaim - any warranty concerning suitability for a specific customer application or use. This Information is intended for use only by customers who have the requisite experience and capability to determine the correct products for their application. Any technical advice inferred from this Information or otherwise provided by us with reference to the use of our products is given gratis, and we assume no obligation or liability for the advice given or results obtained.

单击下面可查看定价，库存，交付和生命周期等信息

[>>KEMET\(基美\)](#)