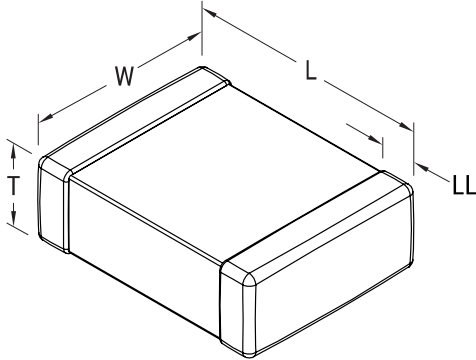


KEMET, L-SMS, Commercial Grade, 22 uH, 10%



Dimensions	
Chip Size	0402
L	1mm +/-0.05mm
W	0.5mm +/-0.05mm
T	0.5mm +/-0.05mm
LL	0.25mm +/-0.1mm

Packaging Specifications	
Packaging:	T&R
Packaging Quantity:	10000

General Information	
Series:	L-SMS
Style:	SMD Chip
Description:	Shielded, Surface Mount Inductor
Features:	Standard Type
RoHS:	Yes
Core:	Ceramic
Winding Type:	Multilayer

Specifications	
Inductance:	22 uH (10 MHz)
Inductance Tolerance:	10%
Temperature Range:	-40/+85C
Current:	10 mAmps (MAX)
DC Resistance:	1.7 Ohms
Quality Factor:	20 at 10 MHz
Self-Resonant Frequency:	40 MHz

单击下面可查看定价，库存，交付和生命周期等信息

[>>KEMET\(基美\)](#)