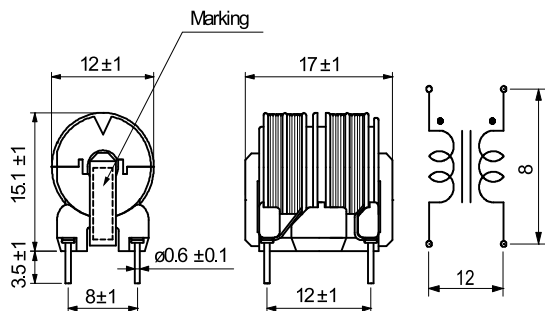


KEMET Part Number: SS17VA-R11015 Not for New Design
(UAL17VAR110150, SS17VA/HA-R11015)

KEMET, SS17VA/HA, AC Line Filters, Common Mode, 1500 uH



Dimensions	
L	17mm +/-1mm
T	12mm +/-1mm
H	15.1mm +/-1mm
LL	3.5mm +/-1mm
S	12mm +/-1mm

Packaging Specifications	
Weight:	5.7 g

General Information	
Series:	SS17VA/HA
Style:	Through-Hole
RoHS:	Yes
Miscellaneous:	Inductance Measurement Condition: 1kHz 1V KC530 or equivalent

Specifications	
Voltage AC:	250 VAC
Inductance:	1.5 mH
Current:	1.1 A
Temperature Range:	-25/+120°C
DC Resistance:	240 mOhms

单击下面可查看定价，库存，交付和生命周期等信息

[>>KEMET\(基美\)](#)