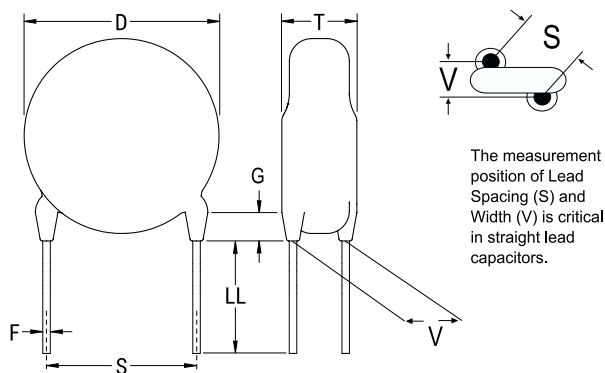


**KEMET Part Number: ERO610T222MCD0**  
(C822CD222M440C, ERO610RJ4220MCD0)

ERO610 SFTY X1-440 Y2-250, Ceramic, 2200 pF, 20%, 440 VAC (X1), 250 VAC (Y2), Y5U, Lead Spacing = 7.5mm



#### Dimensions

<b>D</b>	9mm MAX
<b>T</b>	4.5mm MAX
<b>S</b>	7.5mm NOM
<b>LL</b>	10mm +/-1mm
<b>F</b>	0.6mm +/-0.05mm
<b>G</b>	3mm MAX
<b>V</b>	1.4mm +/-0.5mm

#### Packaging Specifications

<b>Packaging:</b>	Bulk, Bag
-------------------	-----------

#### General Information

<b>Series:</b>	ERO610 SFTY X1-440 Y2-250
<b>Style:</b>	Radial Disc
<b>Description:</b>	Ceramic Single Layer Safety Disc Capacitors
<b>RoHS:</b>	Yes
<b>Termination:</b>	Tin
<b>Qualifications:</b>	UL, CSA, CAN, ENEC, VDE

#### Specifications

<b>Capacitance:</b>	2200 pF
<b>Capacitance Tolerance:</b>	20%
<b>Voltage AC:</b>	440 VAC (X1), 250 VAC (Y2)
<b>Temperature Range:</b>	-40/+125°C
<b>Temperature Coefficient:</b>	Y5U
<b>Dissipation Factor:</b>	2.50%
<b>Insulation Resistance:</b>	6 GOhms
<b>Safety Class:</b>	X1/Y2

单击下面可查看定价，库存，交付和生命周期等信息

[>>KEMET\(基美\)](#)